

# PowerDrive LLC

## MECHANICAL P.T. COMPONENTS

www.powerdrive.com

# INDEX

## Mounted Ball Bearing Units and Insert Bearings ( Inch / mm)

### Solid Base Pillow Blocks - Setscrew Locking

Series	Bearing Inner Ring	Shaft Height	Housing Duty	Shaft Diameter		Page
				Inch	MM	
UCP	Wide	High	Standard	1/2 - 3	12 - 75	1
UCAK	Wide	Low	Standard	1/2 - 3	12 - 75	2
UCPX	Wide	High	Medium	7/8 - 3	-	3
UCPA	Wide	High	Standard	1/2 - 2	-	4
SBP	Narrow	High	Standard	1/2 - 1 1/2	-	5
SBAK	Narrow	Low	Standard	3/4 - 1 1/2	-	5
SBLP	Narrow	High	Light	1/2 - 1 1/2	-	6
SBPSD	Narrow	High	Light / Ductile Iron	1/2 - 1 7/16	-	7

### Solid Base Pillow Blocks - Eccentric Locking Collar

Series	Bearing Inner Ring	Shaft Height	Housing Duty	Shaft Diameter		Page
				Inch	MM	
HCP	Wide	High	Standard	5/8 - 3	20 - 60	8
HCAK	Wide	Low	Standard	3/4 - 3	20 - 60	9
SAP	Narrow	High	Standard	1/2 - 1 1/2	-	10
SAAK	Narrow	Low	Light	3/4 - 1 1/2	-	10
SALP	Narrow	High	Light	1/2 - 1 1/2	-	11
SAPSD	Narrow	High	Light / Ductile Iron	1/2 - 1 7/16	-	12

### 2 - Bolt Flange Blocks - Setscrew Locking

Series	Bearing Inner Ring	Housing	Housing Duty	Shaft Diameter		Page
				Inch	MM	
UCFL	Wide	Oval	Standard	1/2 - 2 1/2	12 - 65	13
UCFT	Wide	Oval	Standard	1/2 - 2 3/16	12 - 55	14
SBFT	Narrow	Oval	Standard	1/2 - 2 7/16	-	15
SBFL	Narrow	Oval	Light	1/2 - 1 1/2	-	16
SBFTN	Narrow	Oval	Light	1/2 - 1 3/4	-	17
SBLF	Narrow	Oval	Light	1/2 - 1 7/16	-	18
SBFTD	Narrow	Oval / Square Holes	Light / Ductile Iron	1/2 - 1 7/16	-	19

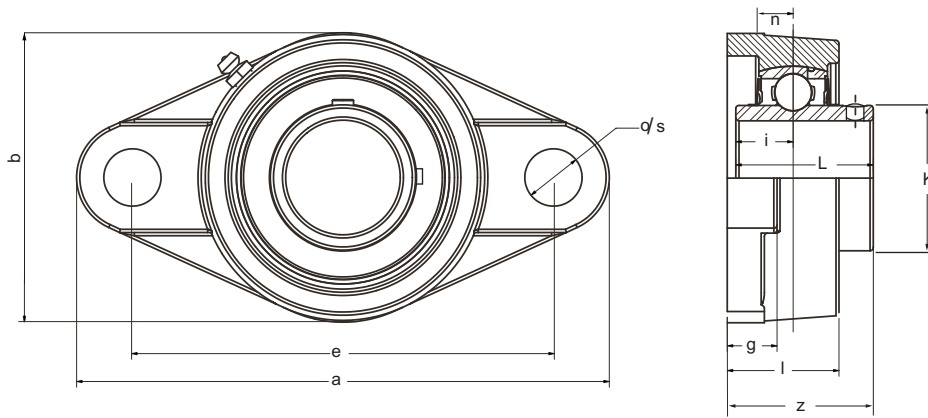
### 2 - Bolt Flange Blocks - Eccentric Locking Collar

Series	Bearing Inner Ring	Housing	Housing Duty	Shaft Diameter		Page
				Inch	MM	
HCFT	Wide	Oval	Standard	1/2 - 2 7/16	20 - 60	20
SAFT	Narrow	Oval	Standard	1/2 - 2 7/16	-	21
SAFL	Narrow	Oval	Light	1/2 - 1 1/2	-	22
SAFTN	Narrow	Oval	Light	1/2 - 1 3/4	-	23
SALF	Narrow	Oval	Light	1/2 - 1 7/16	-	24
SAFTD	Narrow	Oval / Square Holes	Light / Ductile Iron	1/2 - 1 7/16	-	25

PowerDrive

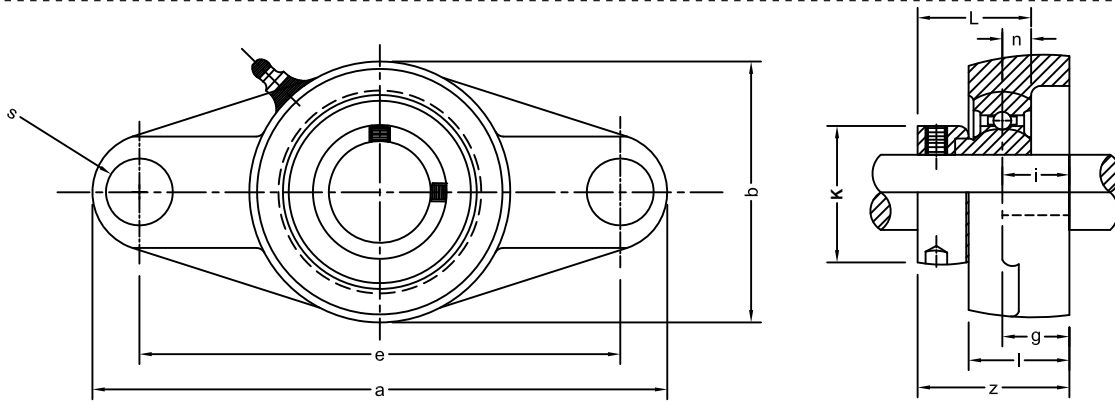
www.powerdrive.com • +1-606-564-6100

2 Bolt Flange \* Wide Inner Ring Bearing \* Eccentric Locking Collar  
 High Grade Cast Iron Housing \* Relubricatable with Anti-Rotation Pin



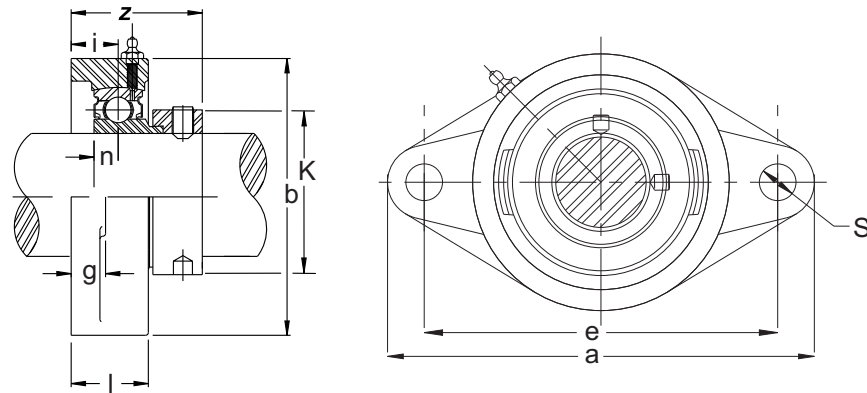
Unit no.	Shaft Dia.		Dimensions (Inch)											Bolt Size Inch	Bearing No.	Housing No.	Weight lbs.
	Inch	mm	a	e	i	g	l	s	b	z	L	n	K				
HCFT201-8 HCFT202-10	1/2 5/8		13/32	3 1/2	3/4	7/16	1 5/32	13/32	3/8	1 25/32	1.7125	0.6693	1 1/8 1 1/4	5/16	HC201 HC201-8	FT204	1.10 1
HCFT204 HCFT204-12	3/4	20	4 13/32	3 17/32	3/4	7/16	1 5/32	13/32	2 3/8	1 25/32	1.7126	0.6693	1/14	5/16	HC204 HC204-12	FT204	1.37
HCFT205 HCFT205-14 HCFT205-15 HCFT205-16	7/8 15/16 1	25	4 7/8	3 57/64	25/32	17/32	1 7/32	1/2	2 3/4	1 27/32	1.7441	0.6850	1 1/2	3/8	HC205 HC205-14 HC205-15 HC205-16	FT205	1.87
HCFT206 HCFT206-17 HCFT206-18 HCFT206-19 HCFT206-20	1 1/16 1 1/8 1 3/16 1 1/4	30	5 9/16	4 19/32	53/64	17/32	1 11/32	1/2	3 1/4	2	1.9016	0.7166	1 3/4	3/8	HC206 HC206-17 HC206-18 HC206-19 HC206-20	FT206	2.43
HCFT207 HCFT207-20 HCFT207-21 HCFT207-22 HCFT207-23	1 1/4 1 5/16 1 3/8 1 7/16	35	6 1/8	5 1/8	27/32	9/16	1 7/16	35/64	3 3/4	2 1/8	2.0118	0.7402	2 3/16	7/16	HC207 HC207-20 HC207-21 HC207-22 HC207-23	FT207	3.64
HCFT208 HCFT208-24 HCFT208-25	1 1/2 1 9/16	40	6 3/4	5 21/32	15/16	9/16	1 17/32	35/64	4 1/8	2 5/16	2.2165	0.8425	2 3/8	7/16	HC208 HC208-24 HC208-25	FT208	4.63
HCFT209 HCFT209-26 HCFT209-27 HCFT209-28	1 5/8 1 11/16 1 3/4	45	7 1/16	5 27/32	15/16	9/16	1 8/16	5/8	4 3/8	2 5/16	2.2165	0.8425	2 1/2	1/2	HC209 HC209-26 HC209-27 HC209-28	FT209	5.40
HCFT210 HCFT210-30 HCFT210-31 HCFT210-32	1 7/8 1 15/16 2	50	7 7/16	6 3/16	1 1/8	9/16	1 27/32	5/8	4 9/16	2 5/8	2.4685	0.9685	2 3/4	1/2	HC210 HC210-30 HC210-31 HC210-32	FT210	6.39
HCFT211 HCFT211-32 HCFT211-34 HCFT211-35	2 2 1/8 2 3/16	55	8 1/2	7 1/4	1 17/64	13/16	1 31/32	45/64	5 1/4	2 31/32	2.8110	1.0906	3	9/16	HC211 HC211-32 HC211-34 HC211-35	FT211	7.59
HCFT212 HCFT212-36 HCFT212-38 HCFT212-39	2 1/4 2 3/8 2 7/16	60	9 5/16	8	1 3/8	55/64	2 7/64	21/32	5 7/16	3 3/16	3.062	1.2190	3 3/4	9/16	HC212 HC212-36 HC212-38 HC212-39	FT212	8.13

2 Bolt Flange \* Wide Inner Ring Bearing \* Eccentric Locking Collar  
 High Grade Cast Iron Housing \* Relubricatable with Anti-Rotation Pin



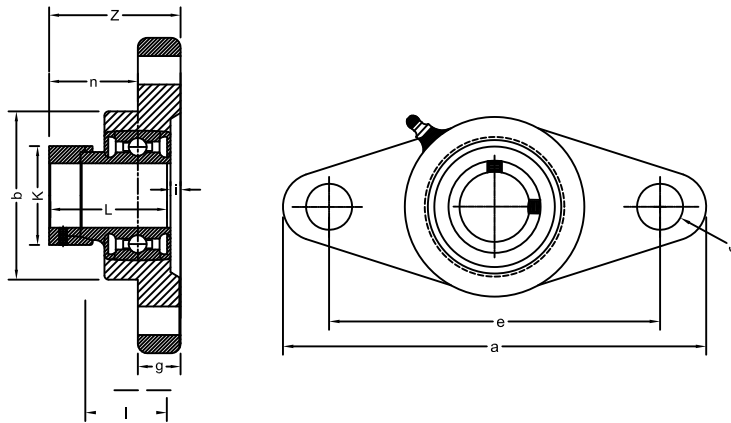
Unit no.	Shaft Dia.	Dimensions (Inch)											Bolt Size Inch	Bearing No.	Housing No.	Weight lbs.
	Inch	a	e	i	g	l	s	b	z	L	n	K				
SAFT201-8	1/2	3 7/8	3	45/64	7/16	1	25/64	2 11/64	1 37/64	1.125	0.256	1 1/2	5/16	SA201-8	FT203	0.85
SAFT202-10	5/8													SA202-10		
SAFT204-12	3/4	4 13/16	3 17/32	3/4	7/16	1 5/32	13/32	2 3/8	1 21/32	1.218	0.295	1 1/4	5/16	SA204-12	FT204	1.26
SAFT205-14	7/8													SA205-14		
SAFT205-15	15/16	4 7/8	3 57/64	25/32	17/32	1 7/32	1/2	2 3/4	1 45/64	1.218	0.295	1 1/2	3/8	SA205-15	FT205	1.81
SAFT205-16	1													SA205-16		
SAFT206-17	1 1/16													SA206-17		
SAFT206-18	1 1/8	5 9/16	4 19/32	53/64	17/32	1 11/32	1/2	3 1/4	1 7/8	1.406	0.354	1 3/4	3/8	SA206-18	FT206	1.81
SAFT206-19	1 3/16													SA206-19		
SAFT206-20	1 1/4													SA206-20		
SAFT207-20	1 1/4													SA207-20		
SAFT207-21	1 5/16	6 1/8	5 1/8	27/32	9/16	1 7/16	35/64	3 3/4	2 1/64	1.531	0.374	2 3/16	7/16	SA207-21	FT207	3.51
SAFT207-22	1 3/8													SA207-22		
SAFT207-23	1 7/16													SA207-23		
SAFT208-24	1 1/2	6 3/4	5 21/32	15/16	9/16	1 17/32	35/64	4 1/8	2 7/32	1.719	0.433	2 3/8	7/16	SA208-24	FT208	4.34
SAFT209-26	1 5/8													SA209-26		
SAFT209-27	1 11/16	7 1/16	5 27/32	15/16	9/16	1 9/16	5/8	4 3/8	2 5/16	1 23/32	0.433	2 3/4	1/2	SA209-27	FT209	4.51
SAFT209-28	1 3/4													SA209-28		
SAFT210-30	1 7/8	7 7/16	6 3/16	1 1/8	9/16	1 27/32	5/8	4 9/16	2 5/8	1 23/32	0.433	2 3/4	1/2	SA210-30	FT210	4.43
SAFT210-31	1 15/16													SA210-31		
SAFT211-32	2													SA211-32		
SAFT211-34	2 1/8	8 1/2	7 1/4	1 17/64	13/16	1 31/32	45/64	5 1/4	2 31/32	1.3930	0.472	3	9/16	SA211-34	FT211	5.79
SAFT211-35	2 3/16													SA211-35		
SAFT212-36	2 1/4													SA212-36		
SAFT212-38	2 3/8	9 5/16	7 15/16	1 23/64	13/16	2 3/32	23/32	5 17/36	3 1/4	1 15/16	0.472	3 5/16	9/16	SA212-38	FT212	8.60
SAFT212-39	2 7/16													SA212-39		

2 Bolt Flange \* Narrow Inner Ring Bearing \* Eccentric Locking Collar  
 High Grade Cast Iron Housing \* Relubricatable with Anti-Rotation Pin



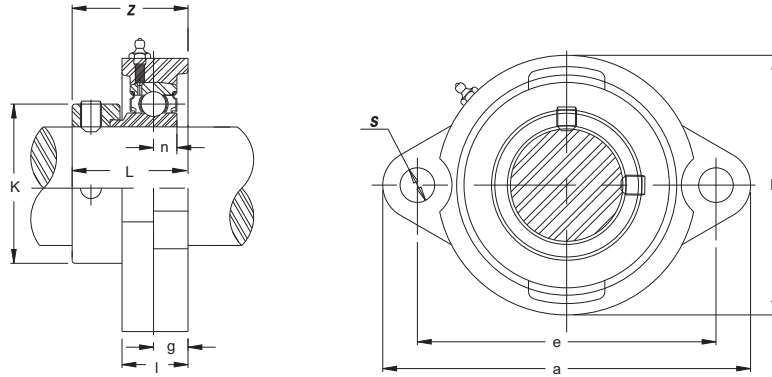
Unit no.	Shaft Dia.	Dimensions (Inch)											Bolt Size Inch	Bearing No.	Housing No.	Weight lbs.
	Inch	a	e	i	g	l	s	b	z	L	n	K				
SAFL201-8	1/2	3 7/8	3	19/32	7/16	1	25/32	2 7/32	1 15/32	1.125	0.256	1.125	5/16	SA201-8	FL203	0.90
SAFL202-10	5/8	4 7/16	3 35/64	19/32	7/16	1	15/32	2 3/8	1 5/16	1.216	0.295	1 1/4	3/8	SA202-10	FL204	1.08
SAFL205-14	7/8	5 1/8	3 57/64	5/8	1/2	1 1/16	5/8	2 11/16	1 15/32	1.218	0.295	1 1/2	1/2	SA205-14	FL205	1.52
SAFL205-15	15/16													SA205-15		
SAFL205-16	1													SA205-16		
SAFL206-17	1 1/16	5 13/16	4 39/64	45/64	1/2	1 7/32	5/8	3 5/32	1 19/32	1.406	0.354	1 3/4	1/2	SA206-17	FL206	2.14
SAFL206-18	1 1/8													SA206-18		
SAFL206-19	1 3/16													SA206-19		
SAFL206-20	1 1/4													SA206-20		
SAFL207-20	1 1/4	6 11/32	5 1/8	3/4	9/16	1 11/32	5/8	3 17/32	1 3/4	1.531	0.374	2 3/16	1/2	SA207-20	FL207	3.02
SAFL207-21	1 5/16													SA207-21		
SAFL207-22	1 3/8													SA207-22		
SAFL207-23	1 7/16													SA207-23		
SAFL208-24	1 1/2	6 7/8	5 43/64	53/64	9/16	1 13/32	5/8	3 15/16	2 1/64	1.719	0.433	2 3/8	1/2	SA208-24	FL208	3.73

2 Bolt Flange \* Narrow Inner Ring Bearing \* Eccentric Locking Collar  
 High Grade Cast Iron Housing \* Relubricatable with Anti-Rotation Pin  
 Narrow Base Housing



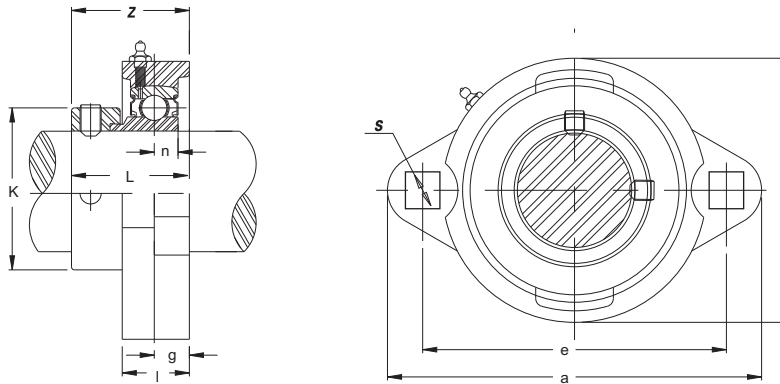
Unit no.	Shaft Dia.	Dimensions (Inch)											Bolt Size Inch	Bearing No.	Housing No.
	Inch	a	e	i	g	l	s	b	z	Bi	m	K			
SAFTN201-8	1/2	3 7/8	3	0.448	3/8	23/32	7/16	2 1/8	1.317	1.125	0.256	1 1/8	3/8	SA201-8	FTN203
SAFTN202-10	5/8													SA202-10	
SAFTN204-12	3/4	4 13/32	3 17/32	0.495	7/16	13/16	7/16	2 1/2	1.418	1.218	0.295	1 1/4	3/8	SA204-12	FTN204
SAFTN205-14	7/8													SA205-14	FTN205
SAFTN205-15	15/16	4 7/8	3 57/64	0.483	7/16	13/16	33/64	2 3/4	1.406	1.218	0.295	1 1/2	7/16	SA205-15	
SAFTN205-16	1													SA205-16	
SAFTN206-17	1 1/16													SA206-17	FTN206
SAFTN206-18	1 1/8	5 9/16	4 19/32	0.478	17/32	61/64	33/64	3 1/8	1.530	1.406	0.354	1 3/4	7/16	SA206-18	
SAFTN206-19	1 3/16													SA206-19	
SAFTN206-20	1 1/4													SA206-20	
SAFTN207-20	1 1/4													SA207-20	FTN207
SAFTN207-21	1 5/16	6 1/8	5 1/8	0.575	19/32	1 3/64	35/64	3 5/8	1.732	1.531	0.374	2 3/16	1/2	SA207-21	
SAFTN207-22	1 3/8													SA207-22	
SAFTN207-23	1 7/16													SA207-23	
SAFTN208-24	1 1/2													SA208-24	FTN208
SAFTN208-25	1 9/16	6 3/4	5 21/32	0.610	5/8	1 1/8	35/64	4 1/8	1.896	1.719	0.433	2 3/8	1/2	SA208-25	
SAFTN209-26	1 5/8													SA209-26	FTN209
SAFTN209-27	1 11/16	7 1/16	5 27/32	0.544	5/8	1 1/8	5/8	4 3/8	1.829	1.719	0.433	2 1/2	9/16	SA209-27	
SAFTN209-28	1 3/4													SA209-28	

**2 Bolt Flange \* Narrow Inner Ring Bearing \* Eccentric Locking Collar  
High Grade Cast Iron Housing \* Relubricatable with Anti-Rotation Pin**



Unit no.	Shaft Dia.	Dimensions (Inch)										Bolt Size Inch	Bearing No.	Housing No.	Weight lbs.
	Inch	a	e	g	l	s	b	z	L	n	K				
SALF201-8	1/2	3 3/16	2 1/2	3/8	23/32	5/16	2 7/32	1 1/4	1.125	0.256	1 1/8	1/4	SA201-8	LF203	0.66
SALF202-10	5/8												SA202-10		
SALF204-12	3/4	3 17/32	2 13/16	7/16	25/32	25/54	2 13/32	1 3/8	1.128	0.295	1 1/4	5/16	SA204-12	LF204	0.76
SALF205-14	7/8												SA205-14		
SALF205-15	15/16	3 3/4	2 63/64	7/16	25/32	25/54	2 17/32	1 3/8	1.128	0.295	1 1/2	5/16	SA205-15	LF205	0.97
SALF205-16	1												SA205-16		
SALF206-17	1 1/16												SA206-17		
SALF206-18	1 1/8	4 7/16	3 9/16	15/32	7/8	15/32	3	1 17/32	1.406	0.354	1 3/4	3/8	SA206-18	LF206	1.41
SALF206-19	1 3/16												SA206-19		
SALF206-20	1 1/4												SA206-20		
SALF207-20	1 1/4	4 13/16	3 15/16	33/64	15/16	15/32	3 1/2	1 11/16	1.531	0.374	2 3/16	3/8	SA207-20	LF207	2.00
SALF207-21	1 5/16												SA207-21		
SALF207-22	1 3/8												SA207-22		
SALF207-23	1 7/16												SA207-23		

**2 Bolt Flange \* Narrow Inner Ring Bearing \* Eccentric Locking Collar  
Ductile Iron Housing \* Relubricatable with Anti-Rotation Pin**



Unit no.	Shaft Dia.	Dimensions (Inch)										Bolt Size Inch	Bearing No.	Housing No.	Weight lbs.
	Inch	a	e	g	l	s	b	z	L	n	K				
SAFTD201-8	1/2	3 3/16	2 9/16	27/64	23/32	9/32	2 9/32	1 21/64	1.125	0.256	1 1/8	1/4	SA201-8	PFTD203	0.57
SAFTD202-10	5/8												SA202-10		
SAFTD204-12	3/4	3 11/16	2 13/16	7/16	49/64	11/32	2 39/64	1 7/16	1.218	0.295	1 1/4	5/16	SA204-12	PFTD204	0.64
SAFTD205-14	7/8												SA205-14		
SAFTD205-15	15/16	3 7/8	3	7/16	51/64	11/32	2 23/32	1 27/64	1.218	0.295	1 1/2	5/16	SA205-15	PFTD205	0.88
SAFTD205-16	1												SA205-16		
SAFTD206-17	1 1/16												SA206-17		
SAFTD206-18	1 1/8	4 9/16	3 3 17/32	1/2	55/64	11/32	3 13/64	1 41/64	1.405	0.354	1 3/4	3/8	SA206-18	PFTD206	1.32
SAFTD206-19	1 3/16												SA206-19		
SAFTD206-20	1 1/4												SA206-20		
SAFTD207-20	1 1/4	4 13/16	3 15/16	1/2	15/16	13/32	3 33/64	1 51/64	1.531	0.374	2 3/16	3/8	SA207-20	PFTD207	1.85
SAFTD207-21	1 5/16												SA207-21		
SAFTD207-22	1 3/8												SA207-22		
SAFTD207-23	1 7/16												SA207-23		