

4 - Bolt Flange Blocks - Setscrew Locking

| Series | Bearing Inner Ring | Housing | Housing Duty | Shaft Diameter | | Page |
|--------|--------------------|-----------------|--------------|----------------|---------|------|
| | | | | Inch | MM | |
| UCF | Wide | Square | Standard | 1/2 - 3 | 12 - 75 | 26 |
| UCFS | Wide | Square | Standard | 1/2 - 2 7/16 | 12 - 60 | 27 |
| UCFX | Wide | Square | Medium | 7/8 - 3 | - | 28 |
| SBF | Narrow | Square | Standard | 1/2 - 1 1/2 | - | 29 |
| SBFS | Narrow | Square | Light | 3/4 - 1 1/2 | - | 30 |
| SBFN | Narrow | Square | Light | 1/2 - 1 3/4 | - | 31 |
| UCFC | Wide | Round Cartridge | Standard | 1/2 - 2 1/2 | - | 32 |

4 - Bolt Flange Blocks - Eccentric Locking Collar

| Series | Bearing Inner Ring | Housing | Housing Duty | Shaft Diameter | | Page |
|--------|--------------------|---------|--------------|----------------|---------|------|
| | | | | Inch | MM | |
| HCFS | Wide | Square | Standard | 3/4 - 2 7/16 | 20 - 60 | 33 |
| SAF | Narrow | Square | Standard | 1/2 - 1 1/2 | - | 34 |
| SAFS | Narrow | Square | Standard | 3/4 - 1 1/2 | - | 35 |
| SAFN | Narrow | Square | Light | 1/2 - 1 3/4 | - | 36 |

3 - Bolt Flange Blocks - Ductile Iron Housing

| Series | Bearing Inner Ring | Locking type | Housing Duty | Shaft Diameter | | Page |
|--------|--------------------|------------------|--------------|----------------|----|------|
| | | | | Inch | MM | |
| SBFCT | Narrow | Set Screw | Light | 1/2 - 1 7/16 | - | 37 |
| SAFCT | Narrow | Eccentric Collar | Light | 1/2 - 1 7/16 | - | 38 |

Screw Conveyor Hanger Unit

| Series | Bearing Inner Ring | Locking type | Housing Duty | Shaft Diameter | | Page |
|--------|--------------------|--------------|---------------|----------------|----|------|
| | | | | Inch | MM | |
| UCSH | Wide | Set Screw | Threaded Base | 1/2 - 2 | - | 39 |

Take- Up Units - Wide Slot

| Series | Bearing Inner Ring | Locking type | Housing Duty | Shaft Diameter | | Page |
|--------|--------------------|------------------|--------------|----------------|---------|------|
| | | | | Inch | MM | |
| UCST | Wide | Set Screw | Standard | 1/2 - 2 1/2 | 12 - 65 | 40 |
| HCST | Wide | Eccentric Collar | Standard | 1/2 - 2 7/16 | 20 - 60 | 41 |

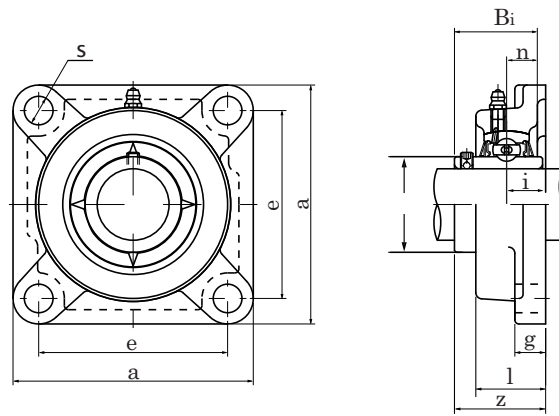
Rubber Mounted - Cylindrical Cartridge

| Series | Bearing Inner Ring | Locking type | Housing | Shaft Diameter | | Page |
|--------|--------------------|------------------|----------------|----------------|----|------|
| | | | | Inch | MM | |
| RCSMS | Narrow | Set Screw | Rubber Grommet | 1/2 - 1 | - | 42 |
| RCSM | Narrow | Eccentric Collar | Rubber Grommet | 1/2 - 1 | - | 42 |

Rubber Mounted - Spherical Cartridge

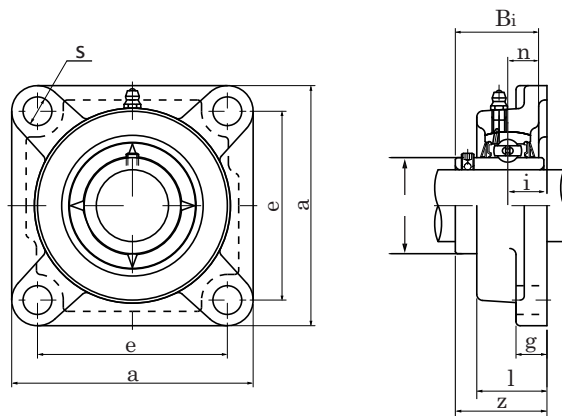
| Series | Bearing Inner Ring | Locking type | Housing | Shaft Diameter | | Page |
|--------|--------------------|------------------|----------------|----------------|----|------|
| | | | | Inch | MM | |
| SBR | Narrow | Set Screw | Rubber Grommet | 1/2 - 1 1/4 | - | 43 |
| SAR | Narrow | Eccentric Collar | Rubber Grommet | 1/2 - 1 1/4 | - | 43 |

4 Bolt Flange * Wide Inner Ring Bearing * Eccentric Locking Collar
 High Grade Cast Iron Housing * Relubricatable with Anti-Rotation Pin



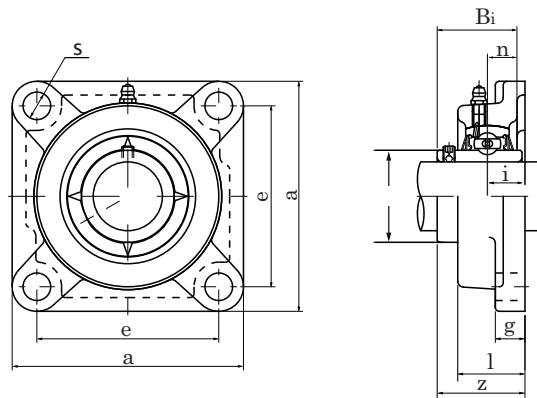
| Unit no. | Shaft Dia. | | Dimensions (Inch) | | | | | | | | | | Bolt Size Inch | Bearing No. | Housing No. | Weight lbs. |
|---|------------------------------------|----|-------------------|-------|-------|-------|---------|-------|---------|--------|--------|--------|-------------------|---|----------------|----------------|
| | Inch | mm | a | e | i | g | l | s | z | L | n | K | | | | |
| HCFS204 HCFS204-12 | 3/4 | 20 | 3 3/8 | 2 1/2 | 0.811 | 3/8 | 1 5/16 | 7/16 | 1 55/64 | 1.7126 | 0.6690 | 1 1/4 | 3/8 | HC204 HC204-12 | FS204 | 1.76 |
| HCFS205 HCFS205-14 HCFS205-15 HCFS205-16 | 7/8 15/16 1 | 25 | 3-3/4 | 2 3/4 | 0.827 | 7/16 | 1 3/8 | 29/64 | 1 57/64 | 1.7441 | 0.6850 | 1 1/2 | 3/8 | HC205 HC205-14 HC205-15 HC205-16 | FS205 | 2.32 |
| HCFS206 HCFS206-17 HCFS206-18 HCFS206-19 HCFS206-20 | 1 1/16 1 1/8 1 3/16 1 1/4 | 30 | 4 1/4 | 3 1/4 | 0.890 | 1/2 | 1 15/32 | 33/64 | 2 5/64 | 1.9016 | 0.7185 | 1 3/4 | 7/16 | HC206 HC206-17 HC206-18 HC206-19 HC206-20 | FS206 | 3.20 |
| HCFS207 HCFS207-20 HCFS207-21 HCFS207-22 HCFS207-23 | 1 1/4 1 5/16 1 3/8 1 7/16 | 35 | 4 5/8 | 3 5/8 | 0.674 | 1/2 | 1 1/2 | 33/64 | 2 5/32 | 2.0118 | 0.7402 | 2 3/16 | 7/16 | HC207 HC207-20 HC207-21 HC207-22 HC207-23 | FS207 | 4.19 |
| HCFS208 HCFS208-24 HCFS208-25 | 1 1/2 1 9/16 | 40 | 5 1/8 | 4 | 0.069 | 5/8 | 1 5/8 | 35/64 | 2 11/32 | 2.2165 | 0.8425 | 2 3/8 | 1/2 | HC208 HC208-24 HC208-25 | FS208 | 5.07 |
| HCFS209 HCFS209-26 HCFS209-27 HCFS209-28 | 1 5/8 1 11/16 1 3/4 | 45 | 5 3/8 | 4 1/8 | 0.959 | 5/8 | 1 21/32 | 5/8 | 2 11/32 | 2.2165 | 0.8425 | 2 1/2 | 9/16 | HC209 HC209-26 HC209-27 HC209-28 | FS209 | 5.05 |
| HCFS210 HCFS210-30 HCFS210-31 HCFS210-32 | 1 7/8 1 15/16 2 | 50 | 5 5/8 | 4 3/8 | 1.094 | 5/8 | 1 13/16 | 5/8 | 2 19/32 | 2.4685 | 0.9685 | 2 3/4 | 9/16 | HC210 HC210-30 HC210-31 HC210-32 | FS210 | 7.06 |
| HCFS211 HCFS211-32 HCFS211-34 HCFS211-35 | 2 2 1/8 2 3/16 | 55 | 6 3/8 | 5 1/8 | 1.220 | 11/16 | 1 31/32 | 43/64 | 2 15/16 | 2.8110 | 1.0906 | 3 | 5/8 | HC211 HC211-32 HC211-34 HC211-35 | FS211 | 9.26 |
| HCFS212 HCFS212-36 HCFS212-38 HCFS212-39 | 2 1/4 2 3/8 2 7/16 | 60 | 6 7/8 | 5 5/8 | 1.343 | 11/16 | 2 5/32 | 43/64 | 3 3/16 | 3.0630 | 1.2165 | 3 5/16 | 5/8 | HC212 HC212-36 HC212-38 HC212-39 | FS212 | 11.7 |

**4 Bolt Flange * Narrow Inner Ring Bearing * Eccentric Locking Collar
High Grade Cast Iron Housing * Relubricatable with Anti-Rotation Pin**



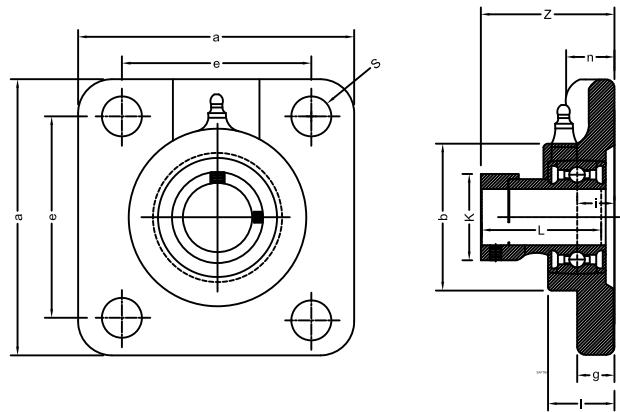
| Unit no. | Shaft Dia. | Dimensions (Inch) | | | | | | | | | | Bolt Size Inch | Bearing No. | Housing No. | Weight lbs. |
|-----------|------------|-------------------|---------|-------|-------|---------|-------|---------|-------|-------|--------|-------------------|----------------|----------------|----------------|
| | Inch | a | e | i | g | l | s | z | L | n | K | | | | |
| SAF201-08 | 1/2 | 3 | 2 1/8 | 21/32 | 27/64 | 1 | 15/32 | 1 1/2 | 1 1/8 | 0.256 | 1 1/8 | 3/8 | SA201-8 | F203 | 0.93 |
| SAF202-10 | 5/8 | | | | | | | | | | | | SA202-10 | | |
| SAF204-12 | 3/4 | 3 3/8 | 2 33/64 | 19/32 | 15/32 | 1 | 15/32 | 1 17/32 | 1.218 | 0.295 | 1 1/4 | 3/8 | SA204-12 | F204 | 1.41 |
| SAF205-14 | 7/8 | | | | | | | | | | | | SA205-14 | | |
| SAF205-15 | 15/16 | 3 3/4 | 2 3/4 | 5/8 | 9/16 | 1 1/16 | 15/32 | 1 9/16 | 1.218 | 0.295 | 1 1/2 | 3/8 | SA205-15 | F205 | 1.85 |
| SAF205-16 | 1 | | | | | | | | | | | | SA205-16 | | |
| SAF206-17 | 1 1/16 | | | | | | | | | | | | SA206-17 | | |
| SAF206-18 | 1 1/8 | 4 1/4 | 3 17/64 | 45/64 | 9/16 | 1 7/32 | 15/32 | 1 49/64 | 1.406 | 0.354 | 1 3/4 | 3/8 | SA206-18 | F206 | 2.51 |
| SAF206-19 | 1 3/16 | | | | | | | | | | | | SA206-19 | | |
| SAF206-20 | 1 1/4 | | | | | | | | | | | | SA206-20 | | |
| SAF207-20 | 1 1/4 | 4 19/32 | 3 5/8 | 3/4 | 5/8 | 1 11/32 | 35/64 | 1 59/64 | 1.631 | 0.374 | 2 3/16 | 7/16 | SA207-20 | F207 | 3.57 |
| SAF207-21 | 1 5/16 | | | | | | | | | | | | SA207-21 | | |
| SAF207-22 | 1 3/8 | | | | | | | | | | | | SA207-22 | | |
| SAF207-23 | 1 7/16 | | | | | | | | | | | | SA207-23 | | |
| SAF208-24 | 1 1/2 | 5 1/8 | 4 1/64 | 53/64 | 5/8 | 1 13/32 | 5/8 | 2 1/8 | 1.719 | 0.433 | 2 3/8 | 1/2 | SA208-24 | F208 | 4.52 |

4 Bolt Flange * Narrow Inner Ring Bearing * Eccentric Locking Collar
 High Grade Cast Iron Housing * Relubricatable with Anti-Rotation Pin



| Unit no. | Shaft Dia. | Dimensions (Inch) | | | | | | | | | Bolt Size Inch | Bearing No. | Housing No. | Weight lbs. |
|------------|------------|-------------------|-------|-------|------|-------|---------|-------|-------|--------|-------------------|----------------|----------------|----------------|
| | Inch | a | e | i | g | s | z | L | n | K | | | | |
| SAFS204-12 | 3/4 | 3 3/8 | 2 1/2 | 0.811 | 3/8 | 7/16 | 1 47/64 | 1.218 | 0.295 | 1 1/4 | 3/8 | SA204-12 | FS204 | 1.65 |
| SAFS205-14 | 7/8 | 3 3/4 | 2 3/4 | 0.827 | 7/16 | 29/64 | 1 3/4 | 1.218 | 0.295 | 1 1/2 | 3/8 | SA205-14 | FS205 | 2.25 |
| SAFS205-15 | 15/16 | | | | | | | | | | | SA205-15 | | |
| SAFS205-16 | 1 | | | | | | | | | | | SA205-16 | | |
| SAFS206-17 | 1 1/16 | 4 1/4 | 3 1/4 | 0.890 | 1/2 | 33/64 | 1 61/64 | 1.406 | 0.354 | 1 3/4 | 7/16 | SA206-17 | FS206 | 3.06 |
| SAFS206-18 | 1 1/8 | | | | | | | | | | | SA206-18 | | |
| SAFS206-19 | 1 3/16 | | | | | | | | | | | SA206-19 | | |
| SAFS206-20 | 1 1/4 | | | | | | | | | | | SA206-20 | | |
| SAFS207-20 | 1 1/4 | 4 5/8 | 3 5/8 | 0.874 | 1/2 | 33/64 | 2 3/64 | 1.531 | 0.374 | 2 3/16 | 7/16 | SA207-20 | FS207 | 4.06 |
| SAFS207-21 | 1 5/16 | | | | | | | | | | | SA207-21 | | |
| SAFS207-22 | 1 3/8 | | | | | | | | | | | SA207-22 | | |
| SAFS207-23 | 1 7/16 | | | | | | | | | | | SA207-23 | | |
| SAFS208-24 | 1 1/2 | 5 1/8 | 4 | 0.969 | 5/8 | 35/64 | 2 1/4 | 1.719 | 0.433 | 2 3/8 | 1/2 | SA208-24 | FS208 | 4.78 |

4 Bolt Flange * Narrow Inner Ring Bearing * Eccentric Locking Collar
 High Grade Cast Iron Housing * Relubricatable with Anti-Rotation Pin
 Narrow Base Housing



| Unit no. | Shaft Dia. | Dimensions (Inch) | | | | | | | | | | | Bolt Size Inch | Bearing No. | Housing No. |
|------------|------------|-------------------|-------|-------|-------|--------|-------|-------|-------|-------|-------|--------|-------------------|--|----------------|
| | Inch | a | e | i | g | l | s | b | z | L | n | K | | | |
| SAFN201-8 | 1/2 | 3 | 2 1/8 | 0.448 | 3/8 | 23/32 | 7/16 | 2 1/8 | 1.317 | 1.125 | 0.256 | 1 1/8 | 3/8 | SA201-8 SA202-10 | FN203 |
| SAFN202-10 | 5/8 | | | | | | | | | | | | | | |
| SAFN204-12 | 3/4 | 3 3/8 | 2 1/2 | 0.495 | 7/16 | 13/16 | 7/16 | 2 1/2 | 1.418 | 1.218 | 0.295 | 1 1/4 | 3/8 | SA204-12 | FN204 |
| SAFN205-14 | 7/8 | 3 3/4 | 2 3/4 | 0.483 | 7/16 | 13/16 | 33/64 | 2 3/4 | 1.406 | 1.218 | 0.295 | 1 1/2 | 7/16 | SA205-14 SA205-15 SA205-16 | FN205 |
| SAFN205-15 | 15/16 | | | | | | | | | | | | | | |
| SAFN205-16 | 1 | | | | | | | | | | | | | | |
| SAFN206-17 | 1 1/16 | 4 1/4 | 3 1/4 | 0.478 | 17/32 | 61/64 | 33/64 | 3 1/8 | 1.530 | 1.406 | 0.354 | 1 3/4 | 7/16 | SA206-17 SA206-18 SA206-19 SA206-20 | FN206 |
| SAFN206-18 | 1 1/8 | | | | | | | | | | | | | | |
| SAFN206-19 | 1 3/16 | | | | | | | | | | | | | | |
| SAFN206-20 | 1 1/4 | | | | | | | | | | | | | | |
| SAFN207-20 | 1 1/4 | 4 5/8 | 3 5/8 | 0.575 | 19/32 | 1 3/64 | 35/64 | 3 5/8 | 1.732 | 1.531 | 0.374 | 2 3/16 | 1/2 | SA207-20 SA207-21 SA207-22 SA207-23 | FN207 |
| SAFN207-21 | 1 5/16 | | | | | | | | | | | | | | |
| SAFN207-22 | 1 3/8 | | | | | | | | | | | | | | |
| SAFN207-23 | 1 7/16 | | | | | | | | | | | | | | |
| SAFN208-24 | 1 1/2 | 5 1/8 | 4 | 0.610 | 5/8 | 1 1/8 | 35/64 | 4 1/8 | 1.896 | 1.719 | 0.433 | 2 3/8 | 1/2 | SA208-24 SA208-25 | FN208 |
| SAFN208-25 | 1 9/16 | | | | | | | | | | | | | | |
| SAFN209-26 | 1 5/8 | 5 3/8 | 4 1/8 | 0.544 | 5/8 | 1 1/8 | 5/8 | 4 3/8 | 1.829 | 1.719 | 0.433 | 2 1/2 | 9/16 | SA209-26 SA209-27 SA209-28 | FN209 |
| SAFN209-27 | 1 11/16 | | | | | | | | | | | | | | |
| SAFN209-28 | 1 3/4 | | | | | | | | | | | | | | |