

4 - Bolt Flange Blocks - Setscrew Locking

Series	Bearing Inner Ring	Housing	Housing Duty	Shaft Diameter		Page
				Inch	MM	
UCF	Wide	Square	Standard	1/2 - 3	12 - 75	26
UCFS	Wide	Square	Standard	1/2 - 2 7/16	12 - 60	27
UCFX	Wide	Square	Medium	7/8 - 3	-	28
SBF	Narrow	Square	Standard	1/2 - 1 1/2	-	29
SBFS	Narrow	Square	Light	3/4 - 1 1/2	-	30
SBFN	Narrow	Square	Light	1/2 - 1 3/4	-	31
UCFC	Wide	Round Cartridge	Standard	1/2 - 2 1/2	-	32

4 - Bolt Flange Blocks - Eccentric Locking Collar

Series	Bearing Inner Ring	Housing	Housing Duty	Shaft Diameter		Page
				Inch	MM	
HCFS	Wide	Square	Standard	3/4 - 2 7/16	20 - 60	33
SAF	Narrow	Square	Standard	1/2 - 1 1/2	-	34
SAFS	Narrow	Square	Standard	3/4 - 1 1/2	-	35
SAFN	Narrow	Square	Light	1/2 - 1 3/4	-	36

3 - Bolt Flange Blocks - Ductile Iron Housing

Series	Bearing Inner Ring	Locking type	Housing Duty	Shaft Diameter		Page
				Inch	MM	
SBFCT	Narrow	Set Screw	Light	1/2 - 1 7/16	-	37
SAFCT	Narrow	Eccentric Collar	Light	1/2 - 1 7/16	-	38

Screw Conveyor Hanger Unit

Series	Bearing Inner Ring	Locking type	Housing Duty	Shaft Diameter		Page
				Inch	MM	
UCSH	Wide	Set Screw	Threaded Base	1/2 - 2	-	39

Take- Up Units - Wide Slot

Series	Bearing Inner Ring	Locking type	Housing Duty	Shaft Diameter		Page
				Inch	MM	
UCST	Wide	Set Screw	Standard	1/2 - 2 1/2	12 - 65	40
HCST	Wide	Eccentric Collar	Standard	1/2 - 2 7/16	20 - 60	41

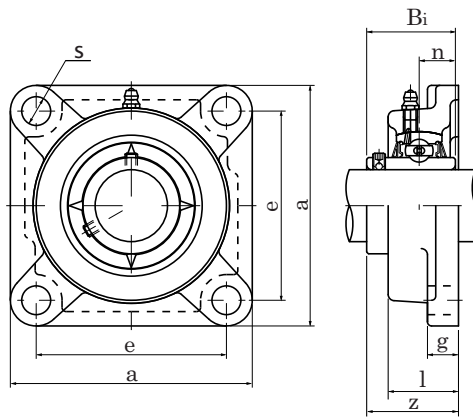
Rubber Mounted - Cylindrical Cartridge

Series	Bearing Inner Ring	Locking type	Housing	Shaft Diameter		Page
				Inch	MM	
RCSMS	Narrow	Set Screw	Rubber Grommet	1/2 - 1	-	42
RCSM	Narrow	Eccentric Collar	Rubber Grommet	1/2 - 1	-	42

Rubber Mounted - Spherical Cartridge

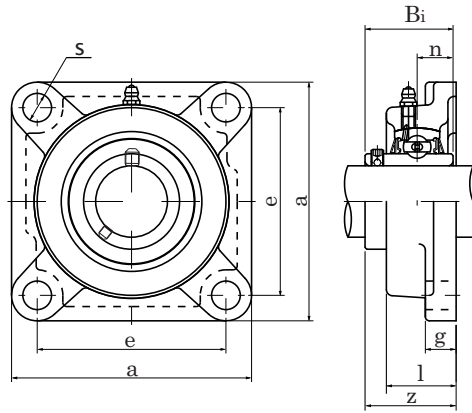
Series	Bearing Inner Ring	Locking type	Housing	Shaft Diameter		Page
				Inch	MM	
SBR	Narrow	Set Screw	Rubber Grommet	1/2 - 1 1/4	-	43
SAR	Narrow	Eccentric Collar	Rubber Grommet	1/2 - 1 1/4	-	43

**4 Bolt Flange * Wide Inner Ring Bearing * Set Screw Locking
High Grade Cast Iron Housing * Relubricatable with Anti-Rotation Pin**



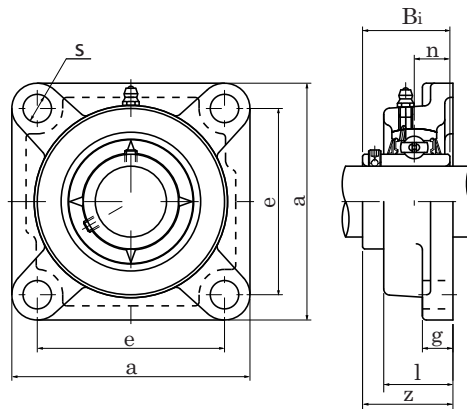
Unit no.	Shaft Dia.		Dimensions (Inch)								Bolt Size Inch	Bearing No.	Housing No.	Weight lbs.
	Inch	mm	a	e	g	l	s	z	Bi	n				
UCF201 UCF201-8	1/2	12												
UCF202 UCF202-10	5/8	15												
UCF203 UCF203-11	11/16	17	3 3/8	2 33/64	15/32	1	15/32	1 5/16	1.2205	0.5000	3/8		F204	1.43
UCF204 UCF204-12	3/4	20												
UCF205 UCF205-14	7/8	25												
UCF205-15 UCF205-16	15/16 1		3 3/4	2 3/4	9/16	1 1/16	15/32	1 13/32	1.3386	0.5630	3/8		F205	1.87
UCF206 UCF206-17	1 1/16	30												
UCF206-18 UCF206-19 UCF206-20	1 1/8 1 3/16 1 1/4		4 1/4	3 17/64	9/16	1 7/32	15/32	1 19/32	1.5000	0.6250	3/8		F206	2.54
UCF207 UCF207-20	1 1/4	35												
UCF207-21 UCF207-22 UCF207-23	1 5/16 1 3/8 1 7/16		4 19/32	3 5/8	5/8	1 11/32	35/64	1 3/4	1.6590	0.6890	7/16		F207	3.53
UCF208 UCF208-24	1 1/2	40												
UCF208-25	1 9/16		5 1/8	4 1/54	5/8	1 13/32	5/8	2 1/64	1.9370	0.7480	1/2		F208	4.52
UCF209 UCF209-26	1 5/8	45												
UCF209-27 UCF209-28	1 11/16 1 3/4		5 13/32	4 9/64	23/32	1 1/2	5/8	2 1/16	1.9370	0.7480	1/2		F209	5.25
UCF210 UCF210-30	1 7/8	50												
UCF210-31 UCF210-32	1 15/16 2		5 5/8	4 3/8	23/32	1 9/16	5/8	2 5/32	2.0315	0.7480	1/2		F210	5.51
UCF211 UCF211-32	2	55												
UCF211-34 UCF211-35	2 1/8 2 3/16		6 3/8	5 1/8	25/32	1 11/16	3/4	2 5/16	2.1890	0.8740	5/8		F211	7.94
UCF212 UCF212-36	2 1/4	60												
UCF212-37 UCF212-38 UCF212-39	2 5/16 2 3/8 2 7/16		6 7/8	5 5/8	25/32	1 7/8	3/4	2 23/32	2.5630	1.00000	5/8		F212	10.8
UCF213 UCF213-40	2 1/2	65												
UCF214 UCF214-43	2 11/16	70												
UCF214-44	2 3/4		7 19/32	5 63/64	15/64	2 1/8	3/4	2 31/32	2.9370	1.1890	5/8		F214	13.9
UCF215 UCF215-46	2 7/8	75												
UCF215-47 UCF215-48	2 15/16 3		7 7/8	6 17/64	15/16	2 7/32	3/4	3 3/32	3.0630	1.3110	5/8		F215	15.0

**4 Bolt Flange * Wide Inner Ring Bearing * Set Screw Locking
High Grade Cast Iron Housing * Relubricatable with Anti-Rotation Pin**



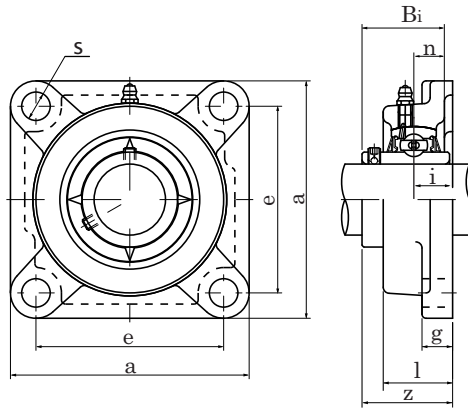
Unit no.	Shaft Dia.		Dimensions (Inch)									Bolt Size Inch	Bearing No.	Housing No.	Weight lbs.
	Inch	mm	a	e	i	g	l	s	z	Bi	n				
UCFS201 UCFS201-8 UCFS202 UCFS202-10 UCFS203 UCFS203-11 UCFS204 UCFS204-12	1/2 5/8 11/16 3/4	12 15 17 20	3 3/8	2 1/2	0.811	3/8	1 5/16	7/16	1 55/64	1.2205	0.500	3/8	UC201 UC201-8 UC202 UC202-10 UC203 UC203-11 UC204 UC204-12	FS204	1.68
UCFS205 UCFS205-14 UCFS205-15 UCFS205-16	7/8 15/16 1	25	3 3/4	2 3/4	0.827	7/16	1 3/8	29/64	1 57/64	1.3386	0.563	3/8	UC205 UC205-14 UC205-15 UC205-16	FS205	2.77
UCFS206 UCFS206-17 UCFS206-18 UCFS206-19 UCFS206-20	1 1/16 1 1/8 1 3/16 1 1/4	30	4 1/4	3 1/4	0.590	1/2	1 15/32	33/64	2 5/64	1.5000	0.625	7/16	UC206 UC206-17 UC206-18 UC206-19 UC206-20	FS206	3.09
UCFS207 UCFS207-20 UCFS207-21 UCFS207-22 UCFS207-23	1 1/4 1 5/16 1 3/8 1 7/16	35	4 5/8	3 5/8	0.874	1/2	1 1/2	33/64	2 5/32	1.6890	0.689	7/16	UC207 UC207-20 UC207-21 UC207-22 UC207-23	FS207	4.01
UCFS208 UCFS208-24 UCFS208-25	1 1/2 1 9/16	40	5 1/8	4	0.969	5/8	1 5/8	35/64	2 11/32	1.9370	0.748	1/2	UC208 UC208-24 UC208-25	FS208	4.78
UCFS209 UCFS209-26 UCFS209-27 UCFS209-28	1 5/8 1 11/16 1 3/4	45	5 3/8	4 1/8	0.969	5/8	1 21/32	5/8	2 11/32	1.9370	0.748	9/16	UC209 UC209-26 UC209-27 UC209-28	FS209	5.64
UCFS210 UCFS210-30 UCFS210-31 UCFS210-32	1 7/8 1 15/16 2	50	5 5/8	4 3/8	1.094	5/8	1 13/16	5/8	2 19/32	2.0315	0.7480	9/16	UC210 UC210-30 UC210-31 UC210-32	FS210	6.61
UCFS211 UCFS211-32 UCFS211-34 UCFS211-35	2 2 1/8 2 3/16	55	6 3/8	5 1/8	1.220	11/16	1 31/32	43/64	2 15/16	2.1890	0.874	5/8	UC211 UC211-32 UC211-34 UC211-35	FS211	8.62
UCFS212 UCFS212-36 UCFS212-38 UCFS212-39	2 1/4 2 3/8 2 7/16	60	6 7/8	5 5/8	1.343	11/16	2 5/32	43/64	3 3/16	2.5630	1.0000	5/8	UC212 UC212-36 UC212-38 UC212-39	FS212	10.9

4 Bolt Flange * Wide Inner Ring Bearing * Set Screw Locking
High Grade Cast Iron Housing * Relubricatable with Anti-Rotation Pin
Medium Duty Housing



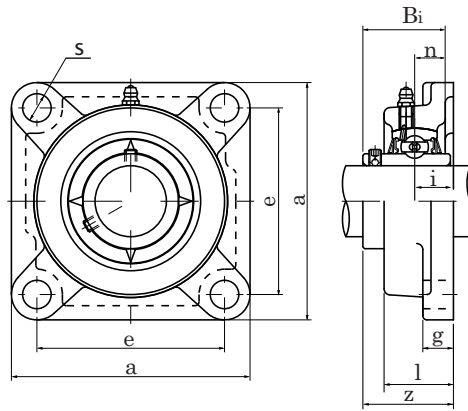
Unit no.	Shaft Dia.	Dimensions (Inch)									Bolt Size Inch	Bearing No.	Housing No.	Weight Lbs.	
	Inch	a	e	g	l	s	b	z	Bi	n					
UCFX05-14	7/8														
UCFX05-15	15/16	4 1/4	3 17/64	45/64	1/2	1 3/16	15/32	1 19/32	1.5000	0.6259	3/8	UCX05-14	FX05	2.82	
UCFX05-16	1											UCX05-15			
												UCX05-16			
UCFX06-18	1 1/8											UCX06-18			
UCFX06-19	1 3/16	4 19/32	3 5/8	3/4	9/16	1 11/32	5/8	1 3/4	1.6890	0.6890	1/2	UCX06-19	FX06	3.64	
UCFX06-20	1 1/4											UCX06-20			
UCFX07-20	1 1/4											UCX07-20			
UCFX07-21	1 5/16	5 1/8	4 1/64	53/64	9/16	1 1/2	5/8	2 1/32	1.9370	0.7480	1/2	UCX07-21	FX07	4.07	
UCFX07-22	1 3/8											UCX07-22			
UCFX07-23	1 7/16											UCX07-23			
UCFX08-24	1 1/2	5 13/32	4 9/64	55/64	9/16	1 9/16	3/4	2 1/8	1.9370	0.7480	5/8	UCX08-24	FX08	4.74	
UCFX08-25	1 9/16											UCX08-25			
UCFX09-26	1 5/8	5 5/8	4 3/8	29/32	9/16	1 9/16	3/4	2 3/16	2.0135	0.7480	5/8	UCX09-26	FX09	5.71	
UCFX09-27	1 11/16											UCX09-27			
UCFX09-28	1 3/4											UCX09-28			
UCFX10-30	1 7/8	6 3/8	5 1/8	1 1/32	25/32	1 23/32	3/4	2 11/32	2.1890	0.8740	5/8	UCX10-30	FX10	8.49	
UCFX10-31	1 15/16											UCX10-31			
UCFX10-32	2											UCX10-32			
UCFX11-34	2 1/8	6 7/8	5 5/8	1 5/64	25/32	1 15/16	3/4	2 23/32	2.5630	1.0000	5/8	UCX11-34	FX11	11.5	
UCFX11-35	2 3/16											UCX11-35			
UCFX11-36	2 1/4											UCX11-36			
UCFX12-38	2 3/8	7 3/8	5 55/64	1 11/32	13/16	2 5/16	3/4	2 29/32	2.5630	1.0000	5/8	UCX12-38	FX12	12.5	
UCFX12-39	2 7/16											UCX12-39			
UCFX13-40	2 1/2	7 3/8	5 55/64	1 11/32	13/16	2 5/16	3/4	3 3/32	2.9370	1.1890	5/8	UCX13-40	FX13	13.2	
UCFX14-44	2 3/4	7 3/4	5 63/64	1 29/64	7/8	2 3/8	29/32	3 7/32	3.0630	1.3110	3/4	UCX14-44	FX14	16.3	
UCFX15-47	2 15/16	7 3/4	5 63/64	1 37/64	15/16	2 11/16	29/32	3 17/32	3.2520	1.3110	3/4	UCX15-47	FX15	18.4	
UCFX15-48	3											UCX15-48			

4 Bolt Flange * Narrow Inner Ring Bearing * Set Screw Locking
 High Grade Cast Iron Housing * Relubricatable with Anti-Rotation Pin



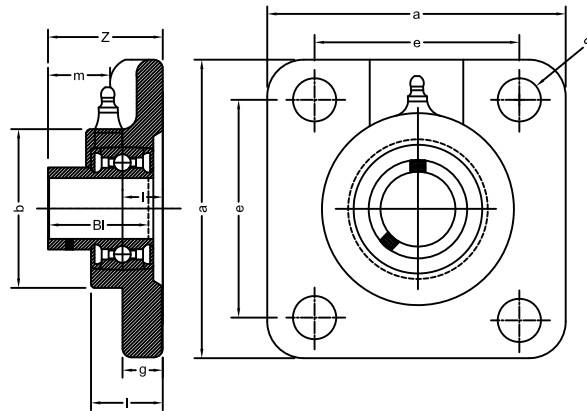
Unit no.	Shaft Dia.	Dimensions (Inch)									Bolt Size Inch	Bearing No.	Housing No.	Weight lbs.
	Inch	a	e	i	g	l	s	z	Bi	n				
SBF201-8 SBF202-10	1/2 5/8	3	2 1/8	21/32	27/64	1	15/32	1 13/64	7/8	0.236	23/32	SB201-8 SB202-10	F203	0.85
SBF204-12	3/4	3 3/8	2 33/64	19/32	15/32	1	15/32	1 5/16	0.984	0.275	3/8	SB204-12	F204	1.37
SBF205-14 SBF205-15 SBF205-16	7/8 15/16 1	3 3/4	2 3/4	5/8	9/16	1 1/16	15/32	1 13/32	1.062	0.295	3/8	SB205-14 SB205-15 SB205-16	F205	1.81
SBF206-17 SBF206-18 SBF206-19 SBF206-20	1 1/16 1 1/8 1 3/16 1 1/4	4 1/4	3 17/64	45/64	9/16	1 7/32	15/32	1 19/32	1.181	0.315	3/8	SB206-17 SB206-18 SB206-19 SB206-20	F206	2.38
SBF207-20 SBF207-21 SBF207-22 SBF207-23	1 1/4 1 5/16 1 3/8 1 7/16	4 19/32	3 5/8	3/4	5/8	1 11/32	35/64	1 11/16	1.259	0.335	7/16	SB207-20 SB207-21 SB207-22 SB207-23	F207	3.33
SBF208-24	1 1/2	5 1/8	4 1/64	53/64	5/8	1 13/32	5/8	1 13/16	1.338	0.354	1/2	SB208-24	F208	4.34

**4 Bolt Flange * Narrow Inner Ring Bearing * Set Screw Locking
High Grade Cast Iron Housing * Relubricatable with Anti-Rotation Pin**



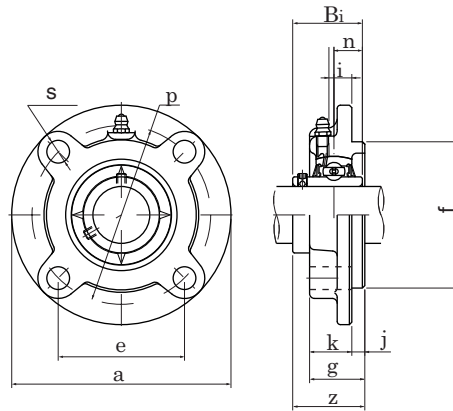
Unit no.	Shaft Dia.	Dimensions (Inch)									Bolt Size Inch	Bearing No.	Housing No.	Weight lbs.
	Inch	a	e	i	g	l	s	z	Bi	n				
SBFS204-12	3/4	3 3/8	2 1/2	0.811	3/8	1 5/16	7/16	1 33/64	0.984	0.275	3/8	SB204-12	FS204	1.61
SBFS205-14	7/8	3 3/4	2 3/4	0.827	7/16	1 3/8	29/64	1 19/32	1.062	0.295	3/8	SB205-14	FS205	2.21
SBFS205-15	15/16													
SBFS205-16	1													
SBFS206-17	1 1/16	4 1/4	3 1/4	0.890	1/2	1 15/32	33/64	1 49/64	1.181	0.315	7/16	SB206-17	FS206	2.93
SBFS206-18	1 1/8													
SBFS206-19	1 3/16													
SBFS206-20	1 1/4													
SBFS207-20	1 1/4	4 5/8	3 5/8	0.874	1/2	1 1/2	33/64	1 13/16	1.259	0.335	7/16	SB207-20	FS207	3.81
SBFS207-21	1 5/16													
SBFS207-22	1 3/8													
SBFS207-23	1 7/16													
SBFS208-24	1 1/2	5 1/8	4	0.969	5/8	1 5/8	35/64	1 61/64	1.338	0.354	1/2	SB208-24	FS208	4.51

4 Bolt Flange * Narrow Inner Ring Bearing * Set Screw Locking
 High Grade Cast Iron Housing * Relubricatable with Anti-Rotation Pin
 Narrow Base Housing



Unit no.	Shaft Dia.	Dimensions (Inch)										Bolt Size Inch	Bearing No.	Housing No.
	Inch	a	e	i	g	l	s	b	z	Bi	m			
SBFN201-8	1/2	3	2 1/8	0.448	3/8	23/32	7/16	2 1/8	1.078	0.866	0.630	3/8	SB201-8	FN203
SBFN202-10	5/8												SB202-10	
SBFN204-12	3/4	3 3/8	2 1/2	0.495	7/16	13/16	7/16	2 1/2	1.203	0.984	0.706	3/8	SB204-12	FN204
SBFN205-14	7/8	3 3/4	2 3/4	0.483	7/16	13/16	33/64	2 3/4	1.250	1.062	0.767	7/16	SB205-14	FN205
SBFN205-15	15/16												SB205-15	
SBFN205-16	1												SB205-16	
SBFN206-17	1 1/16	4 1/4	3 1/4	0.478	17/32	61/64	33/64	3 1/8	1.344	1.181	0.866	7/16	SB206-17	FN206
SBFN206-18	1 1/8												SB206-18	
SBFN206-19	1 3/16												SB206-19	
SBFN206-20	1 1/4												SB206-20	
SBFN207-20	1 1/4	4 5/8	3 5/8	0.575	19/32	1 3/64	35/64	3 5/8	1.500	1.259	0.925	1/2	SB207-20	FN207
SBFN207-21	1 5/16												SB207-21	
SBFN207-22	1 3/8												SB207-22	
SBFN207-23	1 7/16												SB207-23	
SBFN208-24	1 1/2	5 1/8	4	0.610	5/8	1 1/8	35/64	4 1/8	1.594	1.338	0.984	1/2	SB208-24	FN208
SBFN208-25	1 9/16	SB208-25												
SBFN209-26	1 5/8	5 3/8	4 1/8	0.544	5/8	1 1/8	5/8	4 3/8	1.610	1.439	1.066	9/16	SB209-26	FN209
SBFN209-27	1 11/16												SB209-27	
SBFN209-28	1 3/4												SB209-28	

**4 Bolt Flange * Wide Inner Ring Bearing * Set Screw Locking
High Grade Cast Iron Housing * Relubricatable with Anti-Rotation Pin**



Unit no.	Shaft Dia.	Dimensions (Inch)											Bolt Size Inch	Bearing No.	Housing No.	Weight lbs.		
	Inch	a	p	e	i	s	j	k	g	f	z	Bi					n	
UCFC201-8	1/2														3/8	UC201-8	FC204	1.85
UCFC202-10	5/8	3 15/16	3 5/64	2 11/64	25/64	15/32	13/64	9/32	13/16	2.4409	1 5/16	1.2206	0.5000	UC202-10				
UCFC204-12	3/4													UC204-12				
UCFC205-14	7/8													3/8	UC205-14	FC205	2.21	
UCFC205-15	15/16	4 17/32	3 35/64	2 1/2	25/64	15/32	15/64	9/32	53/64	2.7550	1 5/32	1.3386	0.5630		UC205-15			
UCFC205-16	1														UC205-16			
UCFC206-17	1 1/16													3/8	UC206-17	FC206	3.22	
UCFC206-18	1 1/8	4 29/32	3 15/16	2 25/32	25/64	15/32	5/16	5/16	29/32	3.1496	1 9/32	1.5000	0.6260		UC206-18			
UCFC206-19	1 3/16														UC206-19			
UCFC206-20	1 1/4														UC206-20			
UCFC207-20	1 1/4																	
UCFC207-21	1 5/16	5 5/16	4 23/64	3 1/15	7/16	35/64	5/16	11/32	1 1/32	3.5433	1 7/16	1.6890	0.6890	UC207-21				
UCFC207-22	1 3/8													UC207-22				
UCFC207-23	1 7/16													UC207-23				
UCFC208-24	1 1/2																	
UCFC208-25	1 9/16	5 23/32	4 23/32	3 11/32	7/16	35/64	25/64	11/32	1 1/32	3.8370	1 5/8	1.9370	0.7480	UC208-25				
UCFC209-26	1 5/8													1/2	UC209-26	FC209	6.53	
UCFC209-27	1 11/16	6 5/16	5 13/64	3 43/64	25/64	5/8	15/32	9/16	1 1/32	4.1330	1 19/32	1.9370	0.7480		UC209-27			
UCFC209-28	1 3/4														UC209-28			
UCFC210-30	1 7/8																	
UCFC210-31	1 15/16	6 1/2	5 7/16	3 27/32	25/64	5/8	15/32	9/16	1 7/64	4.3307	1 11/16	2.0315	0.7480	UC210-31				
UCFC210-32	2													UC210-32				
UCFC211-32	2																	
UCFC211-34	2 1/8	7 9/32	5 29/32	4 11/64	33/64	3/4	15/32	19/32	1 7/32	4.9213	1 13/16	2.1890	0.8740	UC211-34				
UCFC211-35	2 3/15													UC211-35				
UCFC212-36	2 1/4																	
UCFC212-38	2 3/8	7 11/16	6 19/64	4 29/64	43/64	3/4	15/32	19/32	1 27/64	5.3150	2 7/32	2.5630	1.0000	UC212-38				
UCFC212-39	2 7/16													UC212-39				
UCFC213-40	2 1/2													8 1/16	6 11/16	4 47/64	5/8	3/4