

**4 - Bolt Flange Blocks - Setscrew Locking**

Series	Bearing Inner Ring	Housing	Housing Duty	Shaft Diameter		Page
				Inch	MM	
UCF	Wide	Square	Standard	1/2 - 3	12 - 75	26
UCFS	Wide	Square	Standard	1/2 - 2 7/16	12 - 60	27
UCFX	Wide	Square	Medium	7/8 - 3	-	28
SBF	Narrow	Square	Standard	1/2 - 1 1/2	-	29
SBFS	Narrow	Square	Light	3/4 - 1 1/2	-	30
SBFN	Narrow	Square	Light	1/2 - 1 3/4	-	31
UCFC	Wide	Round Cartridge	Standard	1/2 - 2 1/2	-	32

**4 - Bolt Flange Blocks - Eccentric Locking Collar**

Series	Bearing Inner Ring	Housing	Housing Duty	Shaft Diameter		Page
				Inch	MM	
HCFS	Wide	Square	Standard	3/4 - 2 7/16	20 - 60	33
SAF	Narrow	Square	Standard	1/2 - 1 1/2	-	34
SAFS	Narrow	Square	Standard	3/4 - 1 1/2	-	35
SAFN	Narrow	Square	Light	1/2 - 1 3/4	-	36

**3 - Bolt Flange Blocks - Ductile Iron Housing**

Series	Bearing Inner Ring	Locking type	Housing Duty	Shaft Diameter		Page
				Inch	MM	
SBFCT	Narrow	Set Screw	Light	1/2 - 1 7/16	-	37
SAFCT	Narrow	Eccentric Collar	Light	1/2 - 1 7/16	-	38

**Screw Conveyor Hanger Unit**

Series	Bearing Inner Ring	Locking type	Housing Duty	Shaft Diameter		Page
				Inch	MM	
UCSH	Wide	Set Screw	Threaded Base	1/2 - 2	-	39

**Take- Up Units - Wide Slot**

Series	Bearing Inner Ring	Locking type	Housing Duty	Shaft Diameter		Page
				Inch	MM	
UCST	Wide	Set Screw	Standard	1/2 - 2 1/2	12 - 65	40
HCST	Wide	Eccentric Collar	Standard	1/2 - 2 7/16	20 - 60	41

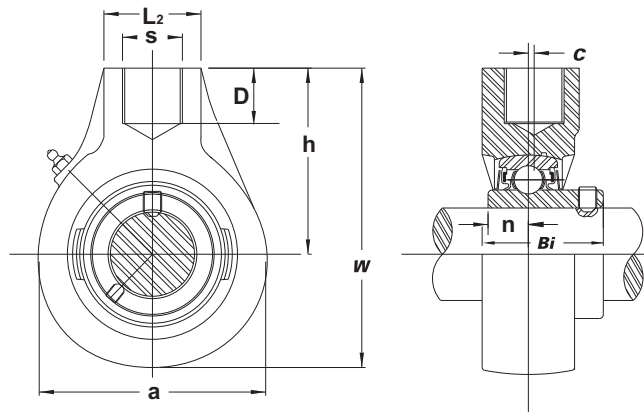
**Rubber Mounted - Cylindrical Cartridge**

Series	Bearing Inner Ring	Locking type	Housing	Shaft Diameter		Page
				Inch	MM	
RCSMS	Narrow	Set Screw	Rubber Grommet	1/2 - 1	-	42
RCSM	Narrow	Eccentric Collar	Rubber Grommet	1/2 - 1	-	42

**Rubber Mounted - Spherical Cartridge**

Series	Bearing Inner Ring	Locking type	Housing	Shaft Diameter		Page
				Inch	MM	
SBR	Narrow	Set Screw	Rubber Grommet	1/2 - 1 1/4	-	43
SAR	Narrow	Eccentric Collar	Rubber Grommet	1/2 - 1 1/4	-	43

Threaded Base \* Wide Inner Ring Bearing \* Set Screw Locking  
 High Grade Cast Iron Housing \* Relubricatable with Anti-Rotation Pin



Unit no.	Shaft Dia.	Dimensions (Inch)									Bearing No.	Housing No.	Weight Lbs.
	Inch	a	w	c	h	L <sub>2</sub>	D	s	Bi	n			
UCSH201-8	1/2										UC201-8		
UCSH202-10	5/8	2 17/32	3 25/32	0	2 23/64	1 9/16	3/4	PF 3/4	1.2205	0.5000	UC202-10	SH204	1.63
UCSH204-12	3/4										UC204-12		
UCSH205-14	7/8										UC205-14		
UCSH205-15	15/16	3 1/16	4 1/16	0	2 23/64	1 9/16	3/4	PF 3/4	1.3366	0.5630	UC205-15	SH205	2.0
UCSH205-16	1										UC205-16		
UCSH206-17	1 1/16										UC206-17		
UCSH206-18	1 1/8										UC206-18		
UCSH206-19	1 3/16	3 1/16	4 1/16	0	2 23/64	1 9/16	3/4	PF 3/4	1.5000	0.6260	UC206-19	SH206	2.16
UCSH206-20	1 1/4										UC206-20		
UCSH207-20	1 1/4										UC207-20		
UCSH207-21	1 5/16										UC207-21		
UCSH207-22	1 3/8	3 5/8	4 9/16	0	2 3/4	1 9/16	3/4	PF 3/4	1.6890	0.6890	UC207-22	SH207	2.67
UCSH207-23	1 7/16										UC207-23		
UCSH208-24	1 1/2										UC208-24		
UCSH208-25	1 9/16	3 25/32	4 3/4	5/64	2 7/8	1 9/16	3/4	PF 3/4	1.9370	0.7480	UC208-25	SH208	3.68
UCSH209-26	1 5/8										UC209-26		
UCSH209-27	1 11/16	4 1/4	5 11/32	13/64	3 15/64	1 7/8	13/16	PF 3/4	1.9370	0.7480	UC209-27	SH209	4.59
UCSH209-28	1 3/4										UC209-28		
UCSH210-30	1 7/8										UC210-30		
UCSH210-31	1 15/16	4 21/32	5 19/32	13/64	3 17/64	1 7/8	13/16	PF 3/4	2.0315	0.7480	UC210-31	SH210	5.49
UCSH210-32	2										UC210-32		