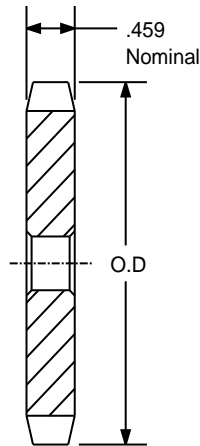


SPROCKETS FOR No.60 PITCH (3/4" ANSI) CHAIN

STEEL

3/4" PITCH



TYPE - A

SPROCKETS FOR No.60 PITCH (3/4" ANSI) CHAIN						
PART NUMBER	NO. OF TEETH	TYPE	DIAMETERS		STOCK BORE	WEIGHT
			O.D.	P.D.		
60A10	10	A	2.760	2.427	3/4	0.44
60A11	11	A	3.000	2.662	3/4	0.54
60A12	12	A	3.250	2.898	3/4	0.68
60A13	13	A	3.490	3.134	3/4	0.80
60A14	14	A	3.740	3.371	3/4	0.94
60A15	15	A	3.980	3.607	3/4	1.08
60A16	16	A	4.220	3.844	3/4	1.24
60A17	17	A	4.460	4.082	3/4	1.44
60A18	18	A	4.700	4.319	3/4	1.62
60A19	19	A	4.950	4.557	3/4	1.84
60A20	20	A	5.190	4.794	3/4	2.12
60A21	21	A	5.430	5.032	3/4	2.28
60A22	22	A	5.670	5.270	3/4	2.48
60A23	23	A	5.910	5.508	3/4	2.68
60A24	24	A	6.150	5.746	23/32	3.00
60A25	25	A	6.390	5.984	23/32	3.34
60A26	26	A	6.630	6.222	23/32	3.54
60A27	27	A	6.870	6.460	23/32	3.96
60A28	28	A	7.110	6.699	23/32	4.14
60A29	29	A	7.350	6.937	23/32	4.40
60A30	30	A	7.590	7.175	23/32	4.78
60A31	31	A	7.830	7.413	23/32	5.24
60A32	32	A	8.070	7.652	23/32	5.52
60A33	33	A	8.300	7.890	15/16	5.86
60A34	34	A	8.540	8.129	15/16	6.16
60A35	35	A	8.780	8.367	15/16	6.78
60A36	36	A	9.020	8.605	15/16	6.82
60A37	37	A	9.260	8.844	15/16	7.52
60A38	38	A	9.500	9.082	15/16	7.84
60A39	39	A	9.740	9.321	15/16	8.28
60A40	40	A	9.980	9.559	15/16	8.56

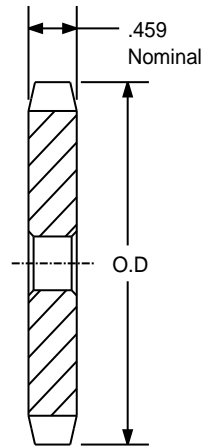
Has recessed groove in hub for chain clearance.

Maximum bores shown will accommodate standard keyseat and setscrew over keyseat. Slightly larger bores are possible with no keyseats or setscrew at angle to keyseat.

SPROCKETS FOR No.60 PITCH (3/4" ANSI) CHAIN

STEEL

3/4" PITCH



TYPE - A

SPROCKETS FOR No.60 PITCH (3/4" ANSI) CHAIN						
PART NUMBER	NO. OF TEETH	TYPE	DIAMETERS		STOCK BORE	WEIGHT
			O.D.	P.D.		
60A41	41	A	10.220	9.798	15/16	9.10
60A42	42	A	10.460	10.036	15/16	9.84
60A43	43	A	10.700	10.275	15/16	9.74
60A44	44	A	10.940	10.513	15/16	10.76
60A45	45	A	11.180	10.752	15/16	11.08
60A46	46	A	11.420	10.990	15/16	11.50
60A47	47	A	11.650	11.229	15/16	12.32
60A48	48	A	11.890	11.467	15/16	12.42
60A49	49	A	12.130	11.706	15/16	12.92
60A50	50	A	12.370	11.945	15/16	13.98
60A51	51	A	12.610	12.183	15/16	14.58
60A52	52	A	12.850	12.422	15/16	14.60
60A53	53	A	13.090	12.660	15/16	15.84
60A54	54	A	13.330	12.899	15/16	15.92
60A55	55	A	13.570	13.137	1 1/4	16.96
60A56	56	A	13.810	13.376	1 1/4	17.60
60A57	57	A	14.040	13.615	1 1/4	17.62
60A58	58	A	14.280	13.853	1 1/4	19.00
60A59	59	A	14.520	14.092	1 1/4	19.20
60A60	60	A	14.760	14.331	1 1/4	20.02
60A64	64	A	15.720	15.285	1 1/4	23.00
60A65	65	A	15.930	15.524	1 1/4	23.24
60A66	66	A	16.160	15.762	1 1/4	24.42
60A68	68	A	16.670	16.240	1 1/4	25.54
60A70	70	A	17.150	16.717	1 1/4	27.20
60A72	72	A	17.630	17.194	1 1/4	28.90
60A76	76	A	18.580	18.149	1 1/4	32.34
60A80	80	A	19.540	19.103	1 1/4	45.50
60A84	84	A	20.490	20.058	1 1/4	40.18
60A90	90	A	21.930	21.490	1 1/4	43.44
60A96	96	A	23.360	22.922	1 1/4	52.02
60A112	112	A	27.180	26.742	1 1/4	70.80

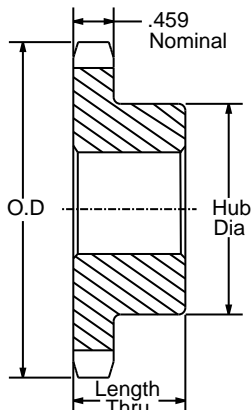
Has recessed groove in hub for chain clearance.

Maximum bores shown will accommodate standard keyseat and setscrew over keyseat. Slightly larger bores are possible with no keyseats or setscrew at angle to keyseat.

SPROCKETS FOR No.60 PITCH (3/4" ANSI) CHAIN

STEEL

3/4" PITCH



TYPE - B

SPROCKETS FOR No.60 PITCH (3/4" ANSI) CHAIN									
PART NUMBER	NO. OF TEETH	TYPE	DIAMETERS		BORE RANGE		DIMENSIONS		WEIGHT LBS.
			O.D.	P.D.	MIN	MAX	HUB DIAMETER	LENGTH THRU	
60B8	8	B	2.260	1.960	5/8	5/8	1 15/32	1 1/4	0.54
60B9	9	B	2.510	2.193	3/4	7/8	1 9/16	1 1/4	0.64
60B10	10	B	2.760	2.427	3/4	1 1/8	1 15/16	1 1/4	0.99
60B11	11	B	3.000	2.662	3/4	1 5/16	2 1/16	1 1/4	1.16
60B12	12	B	3.250	2.898	3/4	1 3/8	2 3/8	1 1/4	1.47
60B13	13	B	3.490	3.134	3/4	1 1/2	2 11/32	1 1/4	1.66
60B14	14	B	3.740	3.371	3/4	1 3/4	2 9/16	1 1/4	2.00
60B15	15	B	3.980	3.607	3/4	1 7/8	2 7/8	1 1/4	2.51
60B16	16	B	4.220	3.844	3/4	2	3 1/16	1 1/4	2.81
60B17	17	B	4.460	4.082	3/4	2 1/4	3 1/4	1 1/4	3.22
60B18	18	B	4.700	4.319	3/4	2 3/8	3 1/2	1 1/4	3.72
60B19	19	B	4.950	4.557	3/4	2 3/8	3 1/2	1 1/4	3.92
60B20	20	B	5.190	4.794	3/4	2 5/8	3 7/8	1 1/4	4.63
60B21	21	B	5.430	5.032	3/4	2 3/4	4	1 1/4	5.00
60B22	22	B	5.670	5.270	3/4	2 3/4	4	1 1/4	5.25
60B23	23	B	5.910	5.508	3/4	2 3/4	4	1 1/4	5.48
60B24	24	B	6.150	5.746	3/4	2 3/4	4	1 1/4	5.78
60B25	25	B	6.390	5.984	3/4	2 3/4	4	1 1/4	6.13
60B26	26	B	6.630	6.222	3/4	2 3/4	4	1 1/4	6.38
60B27	27	B	6.870	6.460	3/4	2 3/4	4	1 1/4	6.72
60B28	28	B	7.110	6.699	3/4	2 3/4	4	1 1/4	6.88
60B29	29	B	7.350	6.937	3/4	2 3/4	4	1 1/4	7.28
60B30	30	B	7.590	7.175	3/4	2 3/4	4	1 1/4	7.58
60B31	31	B	7.830	7.413	3/4	2 3/4	4	1 1/4	7.72
60B32	32	B	8.070	7.652	3/4	2 3/4	4	1 1/4	8.26
60B33	33	B	8.300	7.890	1	2 3/4	4	1 1/4	8.42
60B34	34	B	8.540	8.129	1	2 3/4	4	1 1/4	8.80
60B35	35	B	8.780	8.367	1	2 3/4	4	1 1/4	9.04
60B36	36	B	9.020	8.605	1	2 3/4	4	1 1/4	9.60
60B37	37	B	9.260	8.844	1	2 3/4	4	1 1/4	10.24
60B38	38	B	9.500	9.082	1	2 3/4	4 1/4	1 1/4	10.84
60B39	39	B	9.740	9.321	1	2 3/4	4 1/4	1 1/4	11.36
60B40	40	B	9.980	9.559	1	2 3/4	4 1/4	1 1/4	11.50

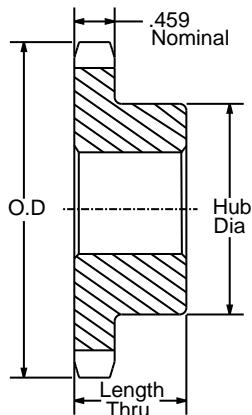
Has recessed groove in hub for chain clearance.

Maximum bores shown will accommodate standard keyseat and setscrew over keyseat. Slightly larger bores are possible with no keyseats or setscrew at angle to keyseat.

SPROCKETS FOR No.60 PITCH (3/4" ANSI) CHAIN

STEEL

3/4" PITCH



TYPE - B

SPROCKETS FOR No.60 PITCH (3/4" ANSI) CHAIN									
PART NUMBER	NO. OF TEETH	TYPE	DIAMETERS		BORE RANGE		DIMENSIONS		WEIGHT LBS.
			O.D.	P.D.	MIN	MAX	HUB DIAMETER	LENGTH THRU	
60B41	41	B	10.220	9.798	1	2 3/4	4 1/4	1 1/4	12.14
60B42	42	B	10.460	10.036	1	2 3/4	4 1/4	1 1/4	12.74
60B43	43	B	10.700	10.275	1	2 3/4	4 1/4	1 1/4	13.00
60B44	44	B	10.940	10.513	15/16	2 3/4	4 1/4	1 1/4	13.88
60B45	45	B	11.180	10.752	15/16	2 3/4	4 1/4	1 1/4	13.98
60B46	46	B	11.420	10.990	15/16	2 3/4	4 1/4	1 1/4	14.60
60B47	47	B	11.650	11.229	15/16	2 3/4	4 1/4	1 1/4	15.00
60B48	48	B	11.890	11.467	15/16	2 3/4	4 1/4	1 1/4	15.82
60B49	49	B	12.130	11.706	15/16	2 3/4	4 1/4	1 1/4	15.90
60B50	50	B	12.370	11.945	15/16	2 3/4	4 1/4	1 1/4	17.66
60B51	51	B	12.610	12.183	15/16	2 3/4	4 1/4	1 1/4	16.98
60B52	52	B	12.850	12.422	15/16	2 3/4	4 1/4	1 1/4	17.93
60B53	53	B	13.090	12.660	15/16	2 3/4	4 1/4	1 1/4	17.99
60B54	54	B	13.330	12.899	15/16	2 3/4	4 1/4	1 3/4	21.60
60B55	55	B	13.570	13.137	1 1/4	2 3/4	4 1/4	1 3/4	21.14
60B56	56	B	13.810	13.376	1 1/4	2 3/4	4 1/4	1 3/4	21.88
60B57	57	B	14.040	13.615	1 1/4	2 3/4	4 1/4	1 3/4	22.26
60B58	58	B	14.280	13.853	1 1/4	2 3/4	4 1/4	1 3/4	22.80
60B59	59	B	14.520	14.092	1 1/4	2 3/4	4 1/4	1 3/4	23.86
60B60	60	B	14.760	14.331	1 1/4	2 3/4	4 1/4	1 3/4	25.22
60B64	64	B	15.720	15.285	1 1/4	2 3/4	4 1/4	1 3/4	27.40
60B65	65	B	15.960	15.524	1 1/4	2 3/4	4 1/4	1 3/4	28.92
60B66	66	B	16.190	15.762	1 1/4	2 3/4	4 1/4	1 3/4	30.10
60B68	68	B	16.670	16.240	1 1/4	2 3/4	4 1/4	1 3/4	30.38
60B70	70	B	17.150	16.717	1 1/4	2 3/4	4 1/4	1 3/4	31.98
60B72	72	B	17.630	17.194	1 1/4	2 3/4	4 1/4	2	34.18
60B76	76	B	18.580	18.149	1 1/4	2 3/4	4 1/4	2	38.06
60B80	80	B	19.540	19.103	1 1/4	2 3/4	4 1/4	2	41.88
60B84	84	B	20.490	20.058	1 1/4	3 1/4	4 3/4	2	46.46
60B90	90	B	21.930	21.490	1 1/4	3 5/16	5	2 1/4	63.20
60B96	96	B	23.360	22.922	1 1/4	3 3/4	5 1/2	2 1/4	63.08
60B112	112	B	27.180	26.742	1 1/4	3 3/4	5 1/2	2 1/4	81.78

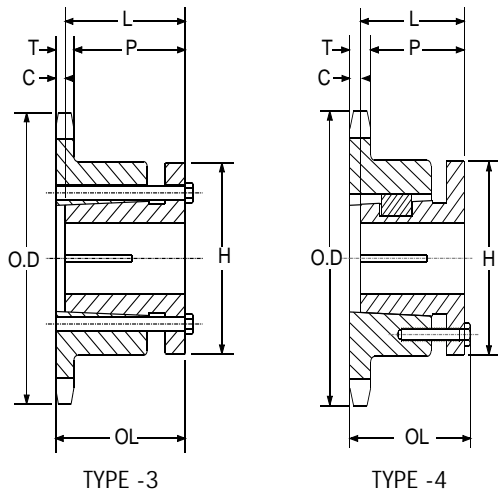
Has recessed groove in hub for chain clearance.

Maximum bores shown will accommodate standard keyseat and setscrew over keyseat. Slightly larger bores are possible with no keyseats or setscrew at angle to keyseat.

SPROCKETS FOR No.60 PITCH (3/4" ANSI) CHAIN

STEEL

3/4" PITCH



[SINGLE SPLIT BUSH]

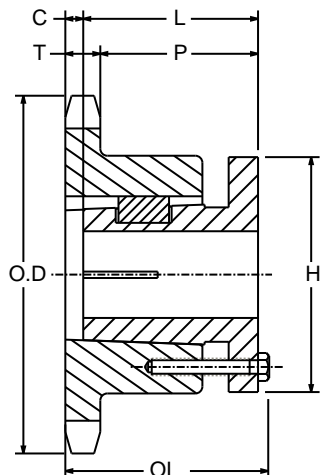
SPROCKETS FOR No.60 PITCH (3/4" ANSI) CHAIN

OLD PART NUMBER	NEW PART NUMBER	NO. OF TEETH	BUSHING	TYPE	DIAMETERS		BORE RANGE		T(NOM)	DIMENSIONS					WEIGHT LBS.
					O.D.	P.D.	MIN	MAX		O.L.	L	P	C	H	
60G10	60ST10-G	10	G	3	2.760	2.427	3/8	1	0.459	1 3/4	1	1 3/32	9/16	2	0.600
60H11	60ST11-H	11	H	3	2.960	2.662	3/8	1 1/2	0.459	1 13/16	1 1/4	1 5/32	3/8	2 1/2	0.700
60H12	60ST12-H	12	H	3	3.250	2.898	3/8	1 1/2	0.459	1 3/4	1 1/4	1 3/32	5/16	2 1/2	0.800
60H13	60ST13-H	13	H	3	3.450	3.134	3/8	1 1/2	0.459	1 1/2	1 1/4	1 27/32	1/16	2 1/2	0.800
60P13	60ST13-P1	13	P1	4	3.450	3.134	1/2	1 3/4	0.459	2 3/16	1 15/16	1 15/32	0	3	1.100
60H14	60ST14-H	14	H	3	3.740	3.371	3/8	1 1/2	0.459	1 1/2	1 1/4	27/32	1/16	2 1/2	1.000
60P14	60ST14-P1	14	P1	4	3.740	3.371	1/2	13/4	0.459	2 3/16	1 15/16	1 15/32	0	3	1.200
60H15	60ST15-H	15	H	3	3.980	3.607	3/8	1 1/2	0.459	1 1/2	1 1/4	27/32	1/16	2 1/2	1.200
60P15	60ST15-P1	15	P1	4	3.980	3.607	1/2	13/4	0.459	2 3/16	1 15/16	1 15/32	0	3	1.600
60P16	60ST16-P1	16	P1	4	4.220	3.844	1/2	13/4	0.459	2 3/16	1 15/16	1 15/32	0	3	2.000
60P17	60ST17-P1	17	P1	4	4.460	4.082	1/2	13/4	0.459	2 3/16	1 15/16	1 15/32	0	3	2.200
60P18	60ST18-P1	18	P1	4	4.700	4.319	1/2	13/4	0.459	2 3/16	1 15/16	1 15/32	0	3	2.400
60P19	60ST19-P1	19	P1	4	4.950	4.557	1/2	13/4	0.459	2 3/16	1 15/16	1 15/32	0	3	2.500
60P20	60ST20-P1	20	P1	4	5.190	4.794	1/2	13/4	0.459	2 3/16	1 15/16	1 15/32	0	3	3.000
60Q20	60ST20-Q1	20	Q1	4	5.190	4.794	3/4	211/16	0.459	2 25/32	2 1/2	2 1/32	0	4 1/8	3.500
60P21	60ST21-P1	21	P1	4	5.430	5.032	1/2	13/4	0.459	2 3/16	1 15/16	1 15/32	0	3	3.000
60Q21	60ST21-Q1	21	Q1	4	5.430	5.032	3/4	211/16	0.459	2 25/32	2 1/2	2 1/32	0	4 1/8	3.800
60P22	60ST22-P1	22	P1	4	5.670	5.270	1/2	13/4	0.459	2 3/16	1 15/16	1 15/32	0	3	3.300
60Q22	60ST22-Q1	22	Q1	4	5.670	5.270	3/4	211/16	0.459	2 25/32	2 1/2	2 1/32	0	4 1/8	4.100
60P23	60ST23-P1	23	P1	4	5.910	5.508	1/2	13/4	0.459	2 3/16	1 15/16	1 15/32	0	3	3.500
60Q23	60ST23-Q1	23	Q1	4	5.910	5.508	3/4	211/16	0.459	2 25/32	2 1/2	2 1/32	0	4 1/8	4.300
60P24	60ST24-P1	24	P1	4	6.150	5.746	1/2	13/4	0.459	2 3/16	1 15/16	1 15/32	0	3	3.900
60Q24	60ST24-Q1	24	Q1	4	6.150	5.746	3/4	211/16	0.459	2 25/32	2 1/2	2 1/32	0	4 1/8	4.500
60P25	60ST25-P1	25	P1	4	6.390	5.984	1/2	13/4	0.459	2 3/16	1 15/16	1 15/32	0	3	4.300
60Q25	60ST25-Q1	25	Q1	4	6.390	5.984	3/4	211/16	0.459	2 25/32	2 1/2	2 1/32	0		6.000
60P26	60ST26-P1	26	P1	4	6.630	6.222	1/2	13/4	0.459	2 3/16	1 15/16	1 15/32	0	3	4.300
60Q26	60ST26-Q1	26	Q1	4	6.630	6.222	3/4	211/16	0.459	2 25/32	2 1/2	2 1/32	0	4 1/8	6.400
60P27	60ST27-P1	27	P1	4	6.870	6.460	1/2	13/4	0.459	2 3/16	1 15/16	1 15/32	0	3	4.600
60Q27	60ST27-Q1	27	Q1	4	6.870	6.460	3/4	211/16	0.459	2 25/32	2 1/2	2 1/32	0	4 1/8	6.600
60P28	60ST28-P1	28	P1	4	7.110	6.699	1/2	13/4	0.459	2 3/16	1 15/16	1 15/32	0	3	5.000
60Q28	60ST28-Q1	28	Q1	4	7.110	6.699	3/4	211/16	0.459	2 25/32	2 1/2	2 1/32	0	4 1/8	6.900
60Q29	60ST29-Q1	29	Q1	4	7.350	6.937	3/4	211/16	0.459	2 25/32	2 1/2	2 1/32	0	4 1/8	7.300
60P30	60ST30-P1	30	P1	4	7.590	7.175	1/2	13/4	0.459	2 3/16	1 15/16	1 15/32	0	3	5.600
60Q30	60ST30-Q1	30	Q1	4	7.590	7.175	3/4	211/16	0.459	2 25/32	2 1/2	2 1/32	0	4 1/8	7.700
60Q31	60ST31-Q1	31	Q1	4	7.830	7.413	3/4	211/16	0.459	2 25/32	2 1/2	2 1/32	0	4 1/8	7.800
60Q32	60ST32-Q1	32	Q1	4	8.070	7.652	3/4	211/16	0.459	2 25/32	2 1/2	2 1/32	0	4 1/8	8.300
60Q33	60ST33-Q1	33	Q1	4	8.300	7.890	3/4	211/16	0.459	2 25/32	2 1/2	2 1/32	0	4 1/8	8.700
60Q34	60ST34-Q1	34	Q1	4	8.540	8.129	3/4	211/16	0.459	2 25/32	2 1/2	2 1/32	0	4 1/8	9.100
60Q35	60ST35-Q1	35	Q1	4	8.780	8.367	3/4	211/16	0.459	2 25/32	2 1/2	2 1/32	0	4 1/8	9.300
60Q36	60ST36-Q1	36	Q1	4	9.020	8.605	3/4	211/16	0.459	2 25/32	2 1/2	2 1/32	0	4 1/8	9.900
60Q37	60ST37-Q1	37	Q1	4	9.260	8.844	3/4	211/16	0.459	2 25/32	2 1/2	2 1/32	0	4 1/8	10.300
60Q38	60ST38-Q1	38	Q1	4	9.500	9.082	3/4	211/16	0.459	2 25/32	2 1/2	2 1/32	0	4 1/8	10.600
60Q39	60ST39-Q1	39	Q1	4	9.740	9.321	3/4	211/16	0.459	2 25/32	2 1/2	2 1/32	0	4 1/8	11.100
60Q40	60ST40-Q1	40	Q1	4	9.980	9.559	3/4	211/16	0.459	2 25/32	2 1/2	2 1/32	0	4 1/8	11.600

SPROCKETS FOR No.60 PITCH (3/4" ANSI) CHAIN

STEEL

3/4" PITCH



TYPE - 4

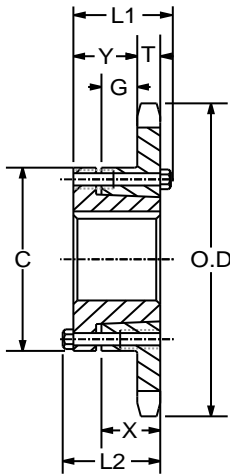
[SINGLE SPLIT BUSH]

SPROCKETS FOR No.60 PITCH (3/4" ANSI) CHAIN																
OLD PART NUMBER	NEW PART NUMBER	NO. OF TEETH	BUSHING	TYPE	DIAMETERS		BORE RANGE		T(NOM)	DIMENSIONS					WEIGHT LBS.	
					O.D.	P.D.	MIN	MAX		O.L.	L	P	C	H		
60Q41	60ST41-Q1	41	Q1	4	10.220	9.798	3/4	2 11/16	0.459	2 25/32	2 1/2	0	4 1/8	4.125	11.90	
60Q42	60ST42-Q1	42	Q1	4	10.460	10.036	3/4	2 11/16	0.459	2 25/32	2 1/2	0	4 1/8	4.125	12.60	
60Q44	60ST44-Q1	44	Q1	4	10.940	10.513	3/4	2 11/16	0.459	2 25/32	2 1/2	0	4 1/8	4.125	13.40	
60Q45	60ST45-Q1	45	Q1	4	11.180	10.752	3/4	2 11/16	0.459	2 25/32	2 1/2	0	4 1/8	4.125	13.90	
60Q47	60ST47-Q1	47	Q1	4	11.650	11.229	3/4	2 11/16	0.459	2 25/32	2 1/2	0	4 1/8	4.125	16.30	
60Q48	60ST48-Q1	48	Q1	4	11.890	11.467	3/4	2 11/16	0.459	2 25/32	2 1/2	0	4 1/8	4.125	16.40	
60Q50	60ST50-Q1	50	Q1	4	12.370	11.945	3/4	2 11/16	0.459	2 25/32	2 1/2	0	4 1/8	4.125	16.90	
60Q54	60ST54-Q1	54	Q1	4	13.330	12.899	3/4	2 11/16	0.459	2 25/32	2 1/2	0	4 1/8	4.125	19.60	
60Q56	60ST56-Q1	56	Q1	4	13.810	13.376	3/4	2 11/16	0.459	2 25/32	2 1/2	0	4 1/8	4.125	20.30	
60Q60	60ST60-Q1	60	Q1	4	14.730	14.331	3/4	2 11/16	0.459	2 25/32	2 1/2	0	4 1/8	4.125	22.90	
60Q70	60ST70-Q1	70	Q1	4	17.120	16.717	3/4	2 11/16	0.459	2 25/32	2 1/2	0	4 1/8	4.125	30.90	
60R70	60ST70-R1	70	R1	4	17.120	16.717	1 1/8	3 3/4	0.459	3 5/32	2 7/8	0	5 3/8	5.375	31.80	
60Q72	60ST72-Q1	72	Q1	4	17.630	17.194	3/4	2 11/16	0.459	2 25/32	2 1/2	0	4 1/8	4.125	31.90	
60R72	60ST72-R1	72	R1	4	17.630	17.194	1 1/8	3 3/4	0.459	3 5/32	2 7/8	0	5 3/8	5.375	34.10	
60Q80	60ST80-Q1	80	Q1	4	19.540	19.103	3/4	2 11/16	0.459	2 25/32	2 1/2	0	4 1/8	4.125	39.10	
60R80	60ST80-R1	80	R1	4	19.540	19.103	1 1/8	3 3/4	0.459	3 5/32	2 7/8	0	5 3/8	5.375	41.50	
60Q84	60ST84-Q1	84	Q1	4	20.490	20.058	3/4	2 11/16	0.459	2 25/32	2 1/2	0	4 1/8	4.125	41.60	
60R84	60ST84-R1	84	R1	4	20.490	20.058	1 1/8	3 3/4	0.459	3 5/32	2 7/8	0	5 3/8	5.375	44.80	
60Q96	60ST96-Q1	96	Q1	4	23.360	22.922	3/4	2 11/16	0.459	2 25/32	2 1/2	0	4 1/8	4.125	54.00	
60R96	60ST96-R1	96	R1	4	23.360	22.922	1 1/8	3 3/4	0.459	3 5/32	2 7/8	0	5 3/8	5.375	56.00	
60Q112	60ST112-Q1	112	Q1	4	27.180	26.742	3/4	2 11/16	0.459	2 25/32	2 1/2	0	4 1/8	4.125	73.00	
60R112	60ST112-R1	112	R1	4	27.180	26.742	1 1/8	3 3/4	0.459	3 5/32	2 7/8	0	5 3/8	5.375	74.50	

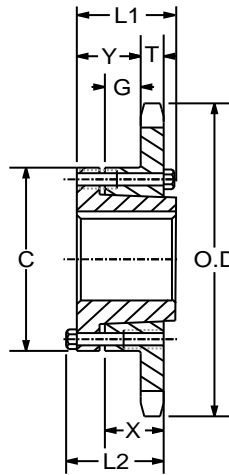
SPROCKETS FOR No.60 PITCH (3/4" ANSI) CHAIN

STEEL

3/4" PITCH



TYPE -QD-B



TYPE -QD-B1



[SINGLE TYPE QD BUSH]

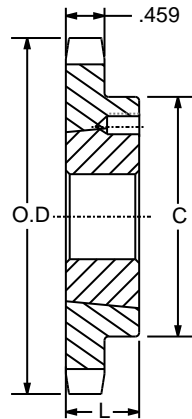
SPROCKETS FOR No.60 PITCH (3/4" ANSI) CHAIN

OLD PART NUMBER	NEW PART NUMBER	NO. OF TEETH	BUSHING	TYPE	DIAMETERS		BORE RANGE		DIMENSIONS							WEIGHT	
					O.D.	P.D.	MIN	MAX	L1	L2	C	Y	G	X	T(NOM)	WITH HUB	RIM ONLY
60JA11	60QD11-JA	11	JA	QD-B	3.000	2.662	1/2	1 1/4	1 1/8	1 1/8	2 1/16	35/64	11/64	5/8	0.459	1.36	0.46
60JA12	60QD12-JA	12	JA	QD-B	3.250	2.898	1/2	1 1/4	1 1/8	1 1/8	2 1/16	35/64	11/64	5/8	0.459	1.50	0.60
60JA13	60QD13-JA	13	JA	QD-B	3.490	3.134	1/2	1 1/4	1 1/8	1 1/8	2 1/16	35/64	11/64	5/8	0.459	1.66	0.76
60SH14	60QD14-SH	14	SH	QD-B	3.740	3.371	1/2	1 5/8	1 7/16	1 7/16	2 11/16	51/64	23/64	13/16	0.459	1.88	0.88
60SH15	60QD15-SH	15	SH	QD-B	3.980	3.607	1/2	1 5/8	1 7/16	1 7/16	2 11/16	51/64	23/64	13/16	0.459	2.08	1.08
60SH16	60QD16-SH	16	SH	QD-B	4.220	3.844	1/2	1 5/8	1 7/16	1 7/16	2 11/16	51/64	23/64	13/16	0.459	2.26	1.26
60SDS17	60QD17-SDS	17	SDS	QD-B	4.460	4.082	1/2	2	1 1/2	1 1/2	3 3/16	55/64	19/64	3/4	0.459	2.38	1.38
60SDS18	60QD18-SDS	18	SDS	QD-B	4.700	4.319	1/2	2	1 1/2	1 1/2	3 3/16	55/64	19/64	3/4	0.459	2.56	1.56
60SDS19	60QD19-SDS	19	SDS	QD-B	4.950	4.557	1/2	2	1 1/2	1 1/2	3 3/16	55/64	19/64	3/4	0.459	2.76	1.76
60SDS20	60QD20-SDS	20	SDS	QD-B	5.190	4.794	1/2	2	1 1/2	1 1/2	3 3/16	55/64	19/64	3/4	0.459	3.00	2.00
60SDS21	60QD21-SDS	21	SDS	QD-B	5.430	5.032	1/2	2	1 1/2	1 1/2	3 3/16	55/64	19/64	3/4	0.459	3.20	2.20
60SDS22	60QD22-SDS	22	SDS	QD-B	5.670	5.270	1/2	2	1 1/2	1 1/2	3 3/16	55/64	19/64	3/4	0.459	3.44	2.44
60SDS23	60QD23-SDS	23	SDS	QD-B	5.910	5.508	1/2	2	1 1/2	1 1/2	3 3/16	55/64	19/64	3/4	0.459	3.70	2.70
60SDS24	60QD24-SDS	24	SDS	QD-B	6.150	5.746	1/2	2	1 1/2	1 1/2	3 3/16	55/64	19/64	3/4	0.459	3.94	2.94
60SDS25	60QD25-SDS	25	SDS	QD-B	6.390	5.984	1/2	2	1 1/2	1 1/2	3 3/16	55/64	19/64	3/4	0.459	4.24	3.24
60SK26	60QD26-SK	26	SK	QD-B	6.630	6.222	1/2	2 5/8	2 1/8	2 1/8	3 7/8	1 27/64	51/64	1 1/4	0.459	6.18	4.18
60SK27	60QD27-SK	27	SK	QD-B	6.870	6.460	1/2	2 5/8	2 1/8	2 1/8	3 7/8	1 27/64	51/64	1 1/4	0.459	6.52	4.52
60SK28	60QD28-SK	28	SK	QD-B	7.110	6.699	1/2	2 5/8	2 1/8	2 1/8	3 7/8	1 27/64	51/64	1 1/4	0.459	6.72	4.72
60SK30	60QD30-SK	30	SK	QD-B	7.590	7.175	1/2	2 5/8	2 1/8	2 1/8	3 7/8	1 27/64	51/64	1 1/4	0.459	7.34	5.34
60SK32	60QD32-SK	32	SK	QD-B	8.070	7.652	1/2	2 5/8	2 1/8	2 1/8	3 7/8	1 27/64	51/64	1 1/4	0.459	8.10	6.10
60SK35	60QD35-SK	35	SK	QD-B	8.780	8.367	1/2	2 5/8	2 1/8	2 1/8	3 7/8	1 27/64	51/64	1 1/4	0.459	9.42	7.42
60SK36	60QD36-SK	36	SK	QD-B	9.020	8.605	1/2	2 5/8	2 1/8	2 1/8	3 7/8	1 27/64	51/64	1 1/4	0.459	9.70	7.70
60SK40	60QD40-SK	40	SK	QD-B	9.980	9.559	1/2	2 5/8	2 1/8	2 1/8	3 7/8	1 27/64	51/64	1 1/4	0.459	11.56	9.56
60SF42	60QD42-SF	42	SF	QD-B	10.460	10.036	1/2	2 15/16	2 1/4	2 1/4	4 5/8	1 35/64	51/64	1 1/4	0.459	13.78	10.78
60SF45	60QD45-SF	45	SF	QD-B	11.180	10.752	1/2	2 15/16	2 1/4	2 1/4	4 5/8	1 35/64	51/64	1 1/4	0.459	15.40	12.40
60SF48	60QD48-SF	48	SF	QD-B	11.890	11.467	1/2	2 15/16	2 1/4	2 1/4	4 5/8	1 35/64	51/64	1 1/4	0.459	17.26	14.26
60SF54	60QD54-SF	54	SF	QD-B	13.330	12.899	1/2	2 15/16	2 1/4	2 1/4	4 5/8	1 35/64	51/64	1 1/4	0.459	20.02	17.02
60SF60	60QD60-SF	60	SF	QD-B	14.760	14.331	1/2	2 15/16	2 1/4	2 1/4	4 5/8	1 35/64	51/64	1 1/4	0.459	23.76	20.76
60SF70	60QD70-SF	70	SF	QD-B	17.150	16.717	1/2	2 15/16	2 1/4	2 1/4	4 5/8	1 35/64	51/64	1 1/4	0.459	31.60	28.60
60SF72	60QD72-SF	72	SF	QD-B	17.630	17.194	1/2	2 15/16	2 1/4	2 1/4	4 5/8	1 35/64	51/64	1 1/4	0.459	32.58	29.58
60SF80	60QD80-SF	80	SF	QD-B	19.540	19.103	1/2	2 15/16	2 1/4	2 1/4	4 5/8	1 35/64	51/64	1 1/4	0.459	41.24	38.24
60SF84	60QD84-SF	84	SF	QD-B	20.490	20.058	1/2	2 15/16	2 1/4	2 1/4	4 5/8	1 35/64	51/64	1 1/4	0.459	43.94	40.94
60SF96	60QD96-SF	96	SF	QD-B	23.360	22.922	1/2	2 15/16	2 1/4	2 1/4	4 5/8	1 35/64	51/64	1 1/4	0.459	55.40	52.40
60E112	60QD112-E	112	E	QD-B1	27.180	26.742	1/2	3 1/2	2 5/8	2 15/16	6	2 3/16	1 11/64	1 5/8	0.459	83.76	73.76

SPROCKETS FOR No.60 PITCH (3/4" ANSI) CHAIN

STEEL

3/4" PITCH



TYPE - B

[SINGLE TAPER BUSH]

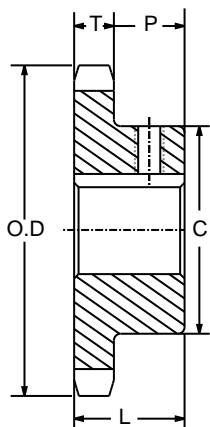
SPROCKETS FOR No.60 PITCH (3/4" ANSI) CHAIN												
OLD PART NUMBER	NEW PART NUMBER	NO. OF TEETH	BUSHING	TYPE	DIAMETERS		BORE RANGE		DIMENSIONS		WEIGHT	
					O.D.	P.D.	MIN	MAX	L	C	RIM ONLY	BUSH ONLY
60BTB11	60TL11-1008	11	1008	B	3.004	2.662	1/2	1	7/8	1 13/16	0.60	0.30
60BTB12	60TL12-1008	12	1008	B	3.249	2.898	1/2	1	7/8	1 15/16	0.80	0.30
60BTB13	60TL13-1210	13	1210	B	3.493	3.134	1/2	1 1/4	1	2 15/32*	0.80	0.60
60BTB14	60TL14-1210	14	1210	B	3.736	3.371	1/2	1 1/4	1	2 15/32	1.00	0.60
60BTB15	60TL15-1610	15	1610	B	3.979	3.607	1/2	1 5/8	1	2 25/32	1.00	0.90
60BTB16	60TL16-1610	16	1610	B	4.221	3.844	1/2	1 5/8	1	3	1.40	0.90
60BTB17	60TL17-1610	17	1610	B	4.462	4.082	1/2	1 5/8	1	3 1/4	1.80	0.90
60BTB18	60TL18-1610	18	1610	B	4.704	4.319	1/2	1 5/8	1	3 1/4	1.90	0.90
60BTB19	60TL19-1610	19	1610	B	4.945	4.557	1/2	1 5/8	1	3 1/4	2.20	0.90
60BTB20	60TL20-2012	20	2012	B	5.185	4.794	1/2	2	1 1/4	3 9/16	2.20	1.70
60BTB21	60TL21-2012	21	2012	B	5.426	5.032	1/2	2	1 1/4	3 9/16	2.50	1.70
60BTB22	60TL22-2012	22	2012	B	5.666	5.270	1/2	2	1 1/4	3 9/16	2.80	1.70
60BTB23	60TL23-2012	23	2012	B	5.907	5.508	1/2	2	1 1/4	3 9/16	3.10	1.70
60BTB24	60TL24-2012	24	2012	B	6.147	5.746	1/2	2	1 1/4	3 9/16	3.40	1.70
60BTB25	60TL25-2012	25	2012	B	6.387	5.984	1/2	2	1 1/4	3 9/16	3.70	1.70
60BTB26	60TL26-2012	26	2012	B	6.627	6.222	1/2	2	1 1/4	3 9/16	4.00	1.70
60BTB27	60TL27-2012	27	2012	B	6.867	6.416	1/2	2	1 1/4	3 9/16	4.20	1.70
60BTB28	60TL28-2012	28	2012	B	7.107	6.699	1/2	2	1 1/4	3 9/16	4.60	1.70
60BTB30	60TL30-2012	30	2012	B	7.586	7.175	1/2	2	1 1/4	3 9/16	5.20	1.70
60BTB32	60TL32-2012	32	2012	B	8.065	7.652	1/2	2	1 1/4	3 9/16	5.60	1.70
60BTB35	60TL35-2012	35	2012	B	8.783	8.367	1/2	2	1 1/4	3 9/16	6.40	1.70
60BTB36	60TL36-2012	36	2012	B	9.022	8.605	1/2	2	1 1/4	3 9/16	6.60	1.70
60BTB40	60TL40-2012	40	2012	B	9.980	9.559	1/2	2	1 1/4	3 9/16	8.30	1.70
60BTB42	60TL42-2012	42	2012	B	10.458	10.036	1/2	2	1 1/4	3 9/16	10.00	1.70
60BTB45	60TL45-2012	45	2012	B	11.175	10.752	1/2	2	1 1/4	3 9/16	11.50	1.70
60BTB48	60TL48-2012	48	2012	B	11.893	11.467	1/2	2	1 1/4	3 9/16	13.20	1.70
60BTB54	60TL54-2517	54	2517	B	13.327	12.899	1/2	2 1/2	1 3/4	4 1/4	17.10	3.50
60BTB60	60TL60-2517	60	2517	B	14.761	14.330	1/2	2 1/2	1 3/4	4 1/4	21.00	3.50
60BTB70	60TL70-2517	70	2517	B	17.150	16.717	1/2	2 1/2	1 3/4	4 1/4	27.60	3.50
60BTB72	60TL72-2517	72	2517	B	17.628	17.194	1/2	2 1/2	1 3/4	4 1/4	30.00	3.50
60BTB80	60TL80-2517	80	2517	B	19.539	19.103	1/2	2 1/2	1 3/4	4 1/4	36.30	3.50
60BTB84	60TL84-2517	84	2517	B	20.494	20.058	1/2	2 1/2	1 3/4	4 1/4	40.60	3.50

*Has recessed groove in hub for chain clearance.

SPROCKETS FOR No.60 PITCH (3/4" ANSI) CHAIN

STEEL

3/4" PITCH



[SINGLE TYPE BS]

TYPE - BS

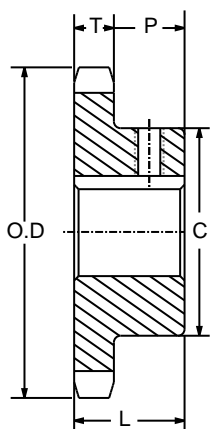
SPROCKETS FOR No.60 PITCH (3/4" ANSI) CHAIN											
PART NUMBER	NO. OF TEETH	TYPE	DIAMETERS		BORE RANGE		DIMENSIONS				WEIGHT LBS.
			O.D.	P.D.	MIN	MAX	T	L	P	C	
60BS8	8	BS	2.260	1.960	5/8	13/16	0.459	1 3/16	47/64	[†] 1 15/32	0.50
60BS9	9	BS	2.500	2.193	3/4	15/16	0.459	1 3/16	47/64	[†] 1 11/16	0.60
60BS10	10	BS	2.760	2.427	3/4	1 3/16	0.459	1 3/16	47/64	[†] 1 29/32	0.90
60BS11	11	BS	2.960	2.662	3/4	1 5/16	0.459	1 3/16	47/64	[†] 2 1/16	1.00
60BS12	12	BS	3.250	2.898	3/4	1 3/8	0.459	1 3/16	47/64	[†] 2 3/8	1.30
60BS13	13	BS	3.450	3.134	3/4	1 1/2	0.459	1 3/16	47/64	2 3/8	1.70
60BS14	14	BS	3.740	3.371	3/4	1 3/4	0.459	1 3/16	47/64	2 9/16	2.00
60BS15	15	BS	3.980	3.607	3/4	1 7/8	0.459	1 3/16	47/64	2 7/8	2.40
60BS16	16	BS	4.220	3.844	3/4	2	0.459	1 3/16	47/64	3 1/16	2.80
60BS17	17	BS	4.460	4.082	3/4	2 1/4	0.459	1 3/16	47/64	3 3/8	3.20
60BS18	18	BS	4.700	4.319	3/4	2 3/8	0.459	1 3/16	47/64	3 1/2	3.90
60BS19	19	BS	4.950	4.557	3/4	2 3/8	0.459	1 3/16	47/64	3 1/2	4.20
60BS20	20	BS	5.190	4.794	3/4	2 5/8	0.459	1 3/16	47/64	3 7/8	4.60
60BS21	21	BS	5.430	5.032	3/4	2 5/8	0.459	1 3/16	47/64	3 7/8	4.80
60BS22	22	BS	5.670	5.270	3/4	2 5/8	0.459	1 3/16	47/64	3 7/8	5.10
60BS23	23	BS	5.910	5.508	3/4	2 5/8	0.459	1 3/16	47/64	3 7/8	5.30
60BS24	24	BS	6.150	5.746	3/4	2 5/8	0.459	1 3/16	47/64	4	5.60
60BS25	25	BS	6.390	5.984	3/4	2 3/4	0.459	1 3/16	47/64	4	6.10
60BS26	26	BS	6.630	6.222	3/4	2 3/4	0.459	1 3/16	47/64	4	6.40
60BS27	27	BS	6.870	6.460	3/4	2 3/4	0.459	1 3/16	47/64	4	6.70
60BS28	28	BS	7.110	6.699	3/4	2 3/4	0.459	1 3/16	47/64	4	7.00
60BS29	29	BS	7.350	6.937	3/4	2 3/4	0.459	1 3/16	47/64	4	7.40
60BS30	30	BS	7.590	7.175	3/4	2 3/4	0.459	1 3/16	47/64	4	7.70
60BS31	31	BS	7.830	7.413	3/4	2 3/4	0.459	1 3/16	47/64	4	8.00
60BS32	32	BS	8.070	7.652	3/4	2 3/4	0.459	1 3/16	47/64	4	8.40
60BS33	33	BS	8.300	7.890	3/4	2 3/4	0.459	1 3/16	47/64	4	8.80
60BS34	34	BS	8.540	8.129	3/4	2 3/4	0.459	1 3/16	47/64	4	9.20
60BS35	35	BS	8.780	8.367	3/4	2 3/4	0.459	1 3/16	47/64	4	9.60
60BS36	36	BS	9.020	8.605	3/4	2 3/4	0.459	1 3/16	47/64	4	10.00
60BS37	37	BS	9.260	8.844	3/4	2 3/4	0.459	1 3/16	47/64	4	10.40
60BS38	38	BS	9.500	9.082	3/4	2 3/4	0.459	1 3/16	47/64	4 1/4	11.20
60BS39	39	BS	9.740	9.321	3/4	2 3/4	0.459	1 3/16	47/64	4 1/4	11.60
60BS40	40	BS	9.980	9.559	3/4	2 3/4	0.459	1 3/16	47/64	4 1/4	12.10

[†]Hub is recessed for chain clearance.

SPROCKETS FOR No.60 PITCH (3/4" ANSI) CHAIN

STEEL

3/4" PITCH



[SINGLE TYPE BS]

TYPE - BS

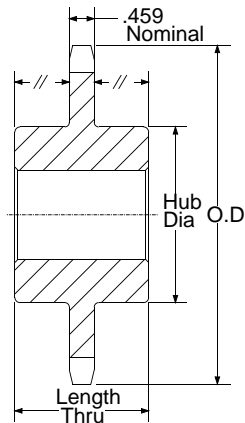
SPROCKETS FOR No.60 PITCH (3/4" ANSI) CHAIN												
PART NUMBER	NO. OF TEETH	TYPE	DIAMETERS		BORE RANGE		DIMENSIONS				WEIGHT LBS.	
			O.D.	P.D.	MIN	MAX	T	L	P	C		
60BS41	41	BS	10.220	9.798	3/4	2 3/4	0.459	1 3/16	47/64	4 1/4	12.60	
60BS42	42	BS	10.460	10.036	3/4	2 3/4	0.459	1 3/16	47/64	4 1/4	13.10	
60BS44	44	BS	10.940	10.513	3/4	2 3/4	0.459	1 3/16	47/64	4 1/4	14.10	
60BS45	45	BS	11.180	10.752	3/4	2 3/4	0.459	1 3/16	47/64	4 1/4	14.60	
60BS47	47	BS	11.650	11.229	3/4	2 3/4	0.459	1 3/16	47/64	4 1/4	15.60	
60BS48	48	BS	11.890	11.467	3/4	2 3/4	0.459	1 3/16	47/64	4 1/4	16.20	
60BS50	50	BS	12.370	11.945	3/4	2 3/4	0.459	1 3/16	47/64	4 1/4	17.30	
60BS54	54	BS	13.330	12.899	3/4	2 3/4	0.459	1 3/16	47/64	4 1/4	19.80	
60BS56	56	BS	13.810	13.376	3/4	3 1/8	0.459	1 3/4	1 19/64	4 5/8	24.20	
60BS60	60	BS	14.760	14.331	3/4	3 1/8	0.459	1 3/4	1 19/64	4 5/8	26.90	
60BS64	64	BS	15.720	15.285	3/4	3 1/8	0.459	1 3/4	1 19/64	4 5/8	29.80	
60BS65	65	BS	15.960	15.524	3/4	3 1/8	0.459	1 3/4	1 19/64	4 5/8	30.50	
60BS68	68	BS	16.670	16.240	3/4	3 1/8	0.459	1 3/4	1 19/64	4 5/8	32.80	
60BS70	70	BS	17.150	16.717	3/4	3 1/8	0.459	1 3/4	1 19/64	4 5/8	34.40	
60BS72	72	BS	17.630	17.194	3/4	3 1/8	0.459	1 3/4	1 19/64	4 5/8	36.10	
60BS76	76	BS	18.580	18.149	1	3 1/4	0.459	1 13/16	1 23/64	4 3/4	40.00	
60BS80	80	BS	19.540	19.103	1	3 1/4	0.459	1 13/16	1 23/64	4 3/4	43.60	
60BS84	84	BS	20.490	20.058	1	3 1/4	0.459	1 13/16	1 23/64	4 3/4	47.40	
60BS90	90	BS	21.930	21.490	1	4	0.459	2 1/8	1 43/64	6	60.00	
60BS96	96	BS	23.360	22.922	1	4	0.459	2 1/8	1 43/64	6	66.50	
60BS112	112	BS	27.180	26.742	1	4	0.459	2 1/8	1 43/64	6	85.80	

[†]Hub is recessed for chain clearance.

SPROCKETS FOR No.60 PITCH (3/4" ANSI) CHAIN

STEEL

3/4" PITCH



TYPE - C

[SINGLE TYPE C]

SPROCKETS FOR No.60 PITCH (3/4" ANSI) CHAIN									
PART NUMBER	NO. OF TEETH	DIAMETERS		BORE RANGE			DIMENSIONS		WEIGHT LBS.
		O.D.	P.D.	MIN	MAX	STOCK BORE	HUB DIAMETER	LENGTH THRU	
60C12	12	3.250	2.898	3/4	1 3/8	3/4	2 3/8*	2	2.25
60C13	13	3.490	3.134	3/4	1 1/2	3/4	2 11/32	2	2.75
60C14	14	3.740	3.371	3/4	1 3/4	3/4	2 9/16	2	3.19
60C15	15	3.980	3.607	3/4	1 7/8	3/4	2 7/8	2	3.10
60C16	16	4.220	3.844	3/4	2	3/4	3 1/16	2	4.19
60C17	17	4.460	4.082	3/4	2 1/4	3/4	3 1/4	2	4.81
60C18	18	4.700	4.319	3/4	2 3/8	3/4	3 1/2	2	5.62

*Has recessed groove in hub for chain clearance.