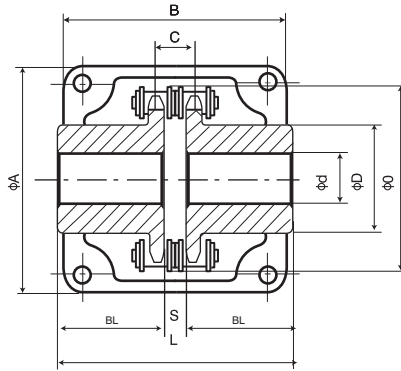


CHAIN COUPLING



Keyway & Set Screws

Bore Range	Keyseat	Setscrew
1/2-9/16	1/8 x 1/16	10-24
5/8-7/8	3/16 x 3/32	1/4 x 3/8
15/16-11/4	1/4 x 1/8	5/16 x 3/8
1 5/16-1 3/8	5/16 x 5/32	5/16 x 3/8
1 7/16-1 3/4	3/8 x 3/16	3/8 x 1/2
1 13/16-2 1/4	1/2 x 1/4	1/2 x 5/8
2 5/16-2 3/4	5/8 x 5/16	5/8 x 3/4

FINISHED BORE CHAIN COUPLING

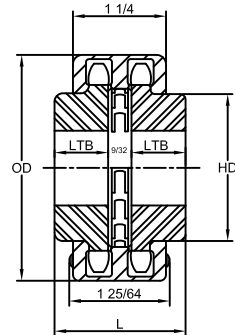
Coupling Ref No.	Chain Type	Dimension						Rated Torque (lb-in)	Wt Lbs	Part No. Cover	Dia. of Cover			Finished Bore Size								
		L	BL	S	D	O	C				A	B	Wt Lbs	9/16	5/8	11/16	3/4	13/16	7/8	-	-	-
C4012	40-2X12	3 1/8	1 7/16	0.291	1 3/8	2 7/16	0.567	20.40	1.6	AL 40	4	2	0.62	9/16	5/8	11/16	3/4	13/16	7/8	-	-	-
C4016	40-2X16	3 7/16	1 9/16	0.291	1 31/32	3 1/32	0.567	65.70	2.8	AL 40	4	2	0.82	3/4	13/16	7/8	15/16	1"	1 1/8	3/16	-	-
C5016	50-2X16	3 15/16	1 25/32	0.382	2 7/16	3 21/32	0.713	194.40	5.5	AL 50	5 1/8	2 3/8	1.2	7/8	15/16	1"	1 1/8	1 3/16	1 1/4	1 3/8	1 1/4	-
C5018	50-2X18	3 15/16	1 25/32	0.382	2 3/4	4 3/16	0.713	308.40	7.8	AL 50	5 1/8	2 3/8	1.6	1 3/16	1 1/4	1 3/8	1 1/2	1 9/16	1 5/8	1 3/4	1 1/2	1 9/16
C6018	60-2X18	4 7/8	2 3/16	0.453	3 11/32	5	0.898	804.20	12.7	AL 60	6 3/8	2 15/16	2.5	1 9/16	1 5/8	1 3/4	2"	2 1/4	-	-	-	-

The inner diameter dimension can supply finished chain coupling according to JIS,GB,BS and ASA standard series.

DELTRIN CHAIN COUPLING

FEATURES:

- CORROSION RESISTANT
- POLLUTION- FREE COUPLINGS
- ECONOMICAL
- NO LUBRICATION
- QUIET



Chain Sprocket No.	PLAIN BORE		Chain Sprocket Part No.	FINISHED BORE											DIMENSION IN INCHES				APP. WT.
	Sprocket Part No.	STOCK		MAX	1/2"	5/8"	3/4"	7/8"	1"	1 1/8"	1 3/16"	1 1/4"	1 7/16"	1 1/2"	OD	HD	L	LTB	
N410	40B10	1/2"	3/4"	4010	X	X	X	-	-	-	-	-	-	-	2.06	1 9/32**	2 1/32"	7/8"	0.8
N411	40B11	1/2"	7/8"	4011	X	X	X	X	-	-	-	-	-	-	2.22	1 7/16**	2 1/32"	7/8"	1
N412	40B12	1/2"	1"	4012	X	X	X	X	X	-	-	-	-	-	2.37	1 19/32**	2 1/32"	7/8"	1
N413	40B13	1/2"	1 1/16"	4013	X	X	X	X	X	-	-	-	-	-	2.53	1 3/4**	2 1/32"	7/8"	1.2
N414	40B14	1/2"	1 1/8"	4014	X	X	X	X	X	X	-	-	-	-	2.69	1 7/8**	2 1/32"	7/8"	1.4
N415	40B15	5/8"	1 1/4"	4015	-	X	X	X	X	X	X	X	-	-	2.85	2" *	2 1/32"	7/8"	1.6
N416	40B16	5/8"	1 3/8"	4016	-	X	X	X	X	X	X	X	-	-	3	2 1/16"	2 1/32"	7/8"	1.9
N417	40B17	5/8"	1 7/16"	4017	-	X	X	X	X	X	X	X	-	-	3.16	2 3/16"	2 1/32"	7/8"	2.1
N418	40B18	5/8"	1 1/2"	4018	-	X	X	X	X	X	X	X	X	X	3.32	2 3/8"	2 1/32"	7/8"	2.5
N419	40B19	5/8"	1 3/4"	4019	-	X	X	X	X	X	X	X	X	X	3.48	2 1/2"	2 1/32"	7/8"	2.7
N420	40B20	5/8"	1 7/8"	4020	-	X	X	X	X	X	X	X	X	X	3.64	2 5/8"	2 5/32"	15/16"	3.1
N421	40B21	5/8"	1 7/8"	4021	-	X	X	X	X	X	X	X	X	X	3.8	2 3/4"	2 5/32"	15/16"	3.5
N422	40B22	5/8"	1 7/8"	4022	-	X	X	X	X	X	X	X	X	X	3.96	2 7/8"	2 5/32"	15/16"	3.8
N423	40B23	5/8"	2	4023	-	X	X	X	X	X	X	X	X	X	4.11	3"	2 5/32"	15/16"	3.8
N424	40B24	5/8"	2 1/4"	4024	-	X	X	X	X	X	X	X	X	X	4.27	3 1/4"	2 5/32"	15/16"	4

Complete Coupling consists of: 2 standard 1/2" Pitch Roller Chain Sprockets (10-24 Teeth), 1 Standard N4 Chain (10-24 Pitches)

X- availability

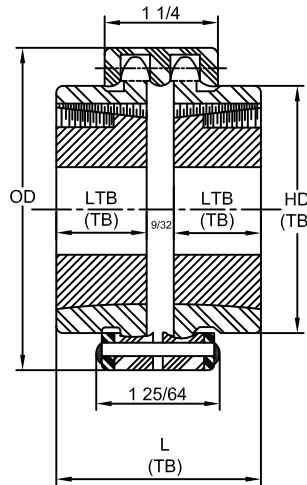
All stock finished sprockets are furnished with standard key ways on center line of tooth and hollow head setscrews

* Hub is recessed

Delrin chain can be cut to lengths- 10 FT , or 50FT.

CHAIN COUPLING

CHAIN PART NO.	SPROCKET PART NO.	TAPERED BORE							
		BORE RANGE		DIMENSIONS IN INCHES				WT. WITH BUSHINGS (lbs.)	BUSHINGS NO.
		MIN.	MAX.	OD	HD	L	LTB		
N414	40TB14	1/2	1	2.69	1 13/16	2 1/32	7/8	1.32	1008
N415	40TB15	1/2	1	2.85	1 13/16	2 1/32	7/8	1.53	1008
N416	40TB16	1/2	1	3.00	1 15/16	2 1/32	7/8	1.85	1008
N417	40TB17	1/2	1-1/4	3.16	2 3/8	2 9/32	1	2.06	1210
N418	40TB18	1/2	1-1/4	3.32	2 15/32	2 9/32	1	2.28	1210
N419	40TB19	1/2	1-1/4	3.48	2 15/32	2 9/32	1	2.79	1210
N420	40TB20	1/2	1-5/8	3.64	2 15/32	2 9/32	1	3.37	1610
N421	40TB21	1/2	1-5/8	3.80	2 15/32	2 9/32	1	3.66	1610
N422	40TB22	1/2	1-5/8	3.96	2 15/32	2 9/32	1	3.82	1610
N423	40TB23	1/2	1-5/8	4.11	3	2 9/32	1	3.95	1610
N424	40TB24	1/2	1-5/8	4.27	3 1/4	2 9/32	1	4.17	1610



TB BUSHING ON DELRIN COUPLINGS ARE INSTILLED FROM THE HUB END OF THE SPROCKET.

* Two Bushings Required per Coupling.

Complete Coupling consists of: 2 standard 1/2" Pitch Roller Chain Sprockets (14-24 Teeth), 1 Standard N4 Chain (14-24 Pitches)
Delrin chain can be cut to lengths- 10 FT, or 50FT.

SELECTION AND RATINGS

HP (HORSE POWER) RATINGS N400 SERIES - 1/2" PITCH DELRIN CHAIN COUPLINGS

No. of Teeth	Overall Dia.	Below 100 RPM Max. Torque (Lb.Ft.)	REVOLUTIONS PER MINUTE (RPM)																	
			100	200	300	400	500	600	700	800	900	1200	1500	1800	2000	2500	3000	3600	4000	5000
10	2.06	18.9	0.36	0.71	1.07	1.42	1.78	1.99	2.18	2.36	2.54	3.03	3.49	3.92	4.20	4.85	5.48	6.20	6.65	7.80
11	2.22	22.6	0.43	0.86	1.29	1.72	2.15	2.40	2.62	2.85	3.06	3.66	4.20	4.72	5.06	5.85	6.60	7.49	8.02	9.40
12	2.37	26.8	0.51	1.02	1.53	2.04	2.55	2.85	3.12	3.38	3.64	4.35	5.00	5.60	6.10	6.95	7.85	8.90	9.55	11.20
13	2.53	31.5	0.60	1.20	1.80	2.40	3.00	3.34	3.65	3.96	4.26	5.08	5.85	6.56	7.05	8.14	9.20	10.40	11.20	13.10
14	2.69	36.3	0.69	1.38	2.08	2.77	3.46	3.86	4.24	4.58	4.94	5.89	6.78	7.61	8.16	9.42	10.60	12.20	12.90	15.10
15	2.85	41.5	0.79	1.59	2.38	3.18	3.97	4.44	4.86	5.26	5.66	6.76	7.77	8.74	9.36	10.80	12.40	13.90	14.90	17.40
16	3.00	47.4	0.90	1.80	2.71	3.61	4.51	5.04	5.51	5.98	6.43	7.68	8.84	9.92	10.60	12.30	13.90	15.70	16.90
17	3.16	53.6	1.02	2.04	3.06	4.08	5.10	5.68	6.22	6.75	7.25	8.66	9.95	11.20	12.00	13.80	15.60	17.70	19.00
18	3.32	60.0	1.14	2.28	3.43	4.57	5.71	6.36	6.97	7.50	8.13	9.70	11.20	12.50	13.40	15.50	17.50	19.90	21.30
19	3.48	66.7	1.27	2.54	3.81	5.08	6.35	7.08	7.75	8.40	9.04	10.80	12.40	14.00	15.00	17.30	19.50	22.10
20	3.64	74.1	1.41	2.82	4.22	5.63	7.04	7.85	8.60	9.33	10.00	12.00	13.80	15.50	16.60	19.20	21.60	24.60
21	3.80	81.4	1.55	3.10	4.65	6.20	7.75	8.65	9.46	10.60	11.00	13.20	15.20	17.10	18.30	21.10	23.80	27.00
22	3.96	89.3	1.70	3.40	5.10	6.80	8.50	9.50	10.40	11.30	12.10	14.50	16.60	18.70	20.00	23.20	26.20	29.60
23	4.11	97.7	1.86	3.72	5.58	7.44	9.30	10.80	11.40	12.30	13.20	15.80	18.20	20.40	21.90	25.40	28.80
24	4.27	106.0	2.02	4.04	6.06	8.08	10.10	11.30	12.40	13.40	14.40	17.30	19.80	22.30	23.90	27.60	31.20

All Delrin Couplings Operated B/W 0 & 100 RPM Must Note be Subjected to Torque Values in Excess to Those Shown in Table Above.