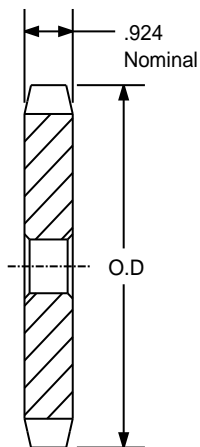


SPROCKETS FOR No.140 PITCH (1 3/4" ANSI) CHAIN

STEEL

1 3/4" PITCH



TYPE - A

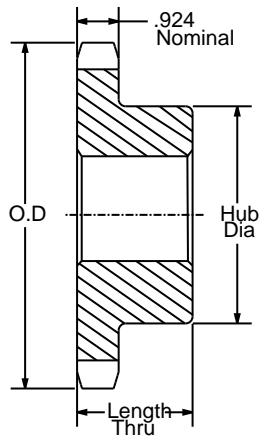
SPROCKETS FOR No.140 PITCH (1 3/4" ANSI) CHAIN

| PART NUMBER | NO. OF TEETH | TYPE | DIAMETERS |        | STOCK BORE | WEIGHT |
|-------------|--------------|------|-----------|--------|------------|--------|
|             |              |      | O.D.      | P.D.   |            |        |
| 140A11      | 11           | A    | 7.010     | 6.212  | 1 1/2      | 5.0    |
| 140A12      | 12           | A    | 7.580     | 6.672  | 1 1/2      | 7.8    |
| 140A13      | 13           | A    | 8.150     | 7.313  | 1 1/2      | 8.2    |
| 140A14      | 14           | A    | 8.720     | 7.864  | 1 1/2      | 10.0   |
| 140A15      | 15           | A    | 9.280     | 8.917  | 1 1/2      | 11.0   |
| 140A16      | 16           | A    | 9.850     | 9.970  | 1 1/2      | 14.0   |
| 140A17      | 17           | A    | 10.410    | 9.524  | 1 1/2      | 16.0   |
| 140A18      | 18           | A    | 10.980    | 10.078 | 1 1/2      | 18.0   |
| 140A19      | 19           | A    | 11.540    | 10.632 | 1 1/2      | 21.0   |
| 140A20      | 20           | A    | 12.100    | 11.187 | 1 1/2      | 23.0   |
| 140A21      | 21           | A    | 12.660    | 11.742 | 1 1/2      | 25.0   |
| 140A22      | 22           | A    | 13.220    | 12.297 | 1 1/2      | 28.0   |
| 140A23      | 23           | A    | 13.780    | 12.852 | 1 1/2      | 30.0   |
| 140A24      | 24           | A    | 14.340    | 13.407 | 1 1/2      | 33.0   |
| 140A25      | 25           | A    | 14.900    | 13.963 | 1 1/2      | 34.0   |
| 140A26      | 26           | A    | 15.460    | 14.518 | 1 1/2      | 39.0   |
| 140A27      | 27           | A    | 16.020    | 15.074 | 1 1/2      | 41.0   |
| 140A28      | 28           | A    | 16.580    | 15.630 | 1 1/2      | 45.0   |
| 140A30      | 30           | A    | 17.700    | 16.742 | 1 1/2      | 52.0   |
| 140A31      | 31           | A    | 18.260    | 17.298 | 1 1/2      | 56.0   |
| 140A32      | 32           | A    | 18.820    | 17.854 | 1 1/2      | 60.0   |
| 140A35      | 35           | A    | 20.490    | 19.523 | 1 1/2      | 73.0   |
| 140A36      | 36           | A    | 21.050    | 20.079 | 1 1/2      | 77.0   |
| 140A40      | 40           | A    | 23.290    | 22.305 | 1 1/2      | 93.0   |
| 140A45      | 45           | A    | 26.080    | 25.087 | 1 1/2      | 131.0  |
| 140A48      | 48           | A    | 27.750    | 26.757 | 1 1/2      | 134.0  |
| 140A54      | 54           | A    | 31.100    | 30.097 | 1 1/2      | 173.0  |
| 140A60      | 60           | A    | 34.440    | 33.438 | 1 1/2      | 219.0  |
| 140A70      | 70           | A    | 40.020    | 39.006 | 1 1/2      | 292.0  |
| 140A80      | 80           | A    | 45.590    | 44.575 | 1 1/2      | 402.0  |

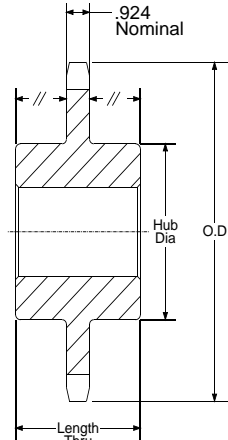
SPROCKETS FOR No.140 PITCH (1 3/4" ANSI) CHAIN

STEEL

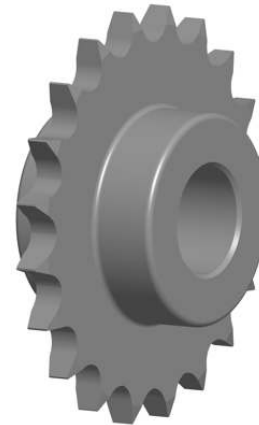
1 3/4" PITCH



TYPE - B



TYPE - C



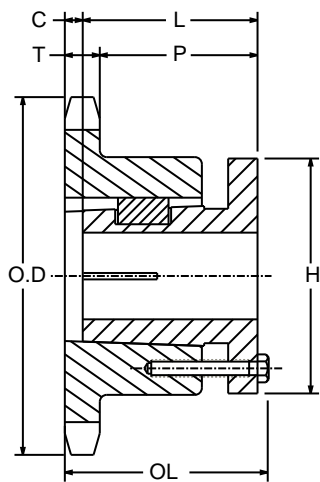
SPROCKETS FOR No.140 PITCH (1 3/4" ANSI) CHAIN

| PART NUMBER | NO. OF TEETH | TYPE | DIAMETERS |        | BORE RANGE |       | DIMENSIONS   |             | WEIGHT LBS. |
|-------------|--------------|------|-----------|--------|------------|-------|--------------|-------------|-------------|
|             |              |      | O.D.      | P.D.   | MIN        | MAX   | HUB DIAMETER | LENGTH THRU |             |
| 140B11      | 11           | B    | 7.010     | 6.212  | 1 1/2      | 2 3/4 | 4 1/4        | 2 1/4       | 11.3        |
| 140B12      | 12           | B    | 7.580     | 6.672  | 1 1/2      | 3     | 4 1/2        | 2 1/4       | 13.2        |
| 140B13      | 13           | B    | 8.150     | 7.313  | 1 1/2      | 3 3/4 | 5 1/2        | 2 3/8       | 18.9        |
| 140B14      | 14           | B    | 8.720     | 7.864  | 1 1/2      | 3 3/4 | 5 1/2        | 2 3/8       | 20.4        |
| 140B15      | 15           | B    | 9.280     | 8.917  | 1 1/2      | 4 1/4 | 6 1/4        | 2 3/8       | 25.1        |
| 140B16      | 16           | B    | 9.850     | 8.970  | 1 1/2      | 4 1/4 | 6 1/4        | 2 1/2       | 27.9        |
| 140B17      | 17           | B    | 10.410    | 9.524  | 1 1/2      | 4 1/4 | 6 1/4        | 2 1/2       | 29.8        |
| 140B18      | 18           | B    | 10.980    | 10.078 | 1 1/2      | 4 1/4 | 6 1/4        | 2 1/2       | 32.0        |
| 140B19      | 19           | B    | 11.540    | 10.632 | 1 1/2      | 4 1/4 | 6 1/4        | 2 1/2       | 34.1        |
| 140B20      | 20           | B    | 12.100    | 11.187 | 1 1/2      | 4 1/4 | 6 1/4        | 2 1/2       | 36.0        |
| 140B21      | 21           | B    | 12.660    | 11.742 | 1 1/2      | 4 1/4 | 6 1/4        | 2 1/2       | 38.7        |
| 140B22      | 22           | B    | 13.220    | 12.297 | 1 1/2      | 4 1/4 | 6 1/4        | 2 1/2       | 40.6        |
| 140B23      | 23           | B    | 13.780    | 12.852 | 1 1/2      | 4 1/4 | 6 1/4        | 2 1/2       | 42.1        |
| 140B24      | 24           | B    | 14.340    | 13.407 | 1 1/2      | 4 1/4 | 6 1/4        | 2 1/2       | 46.2        |
| 140B25      | 25           | B    | 14.900    | 13.960 | 1 1/2      | 4 1/4 | 6 1/4        | 2 1/2       | 47.8        |
| 140B26      | 26           | B    | 15.460    | 14.518 | 1 1/2      | 4 1/4 | 6 1/4        | 3           | 57.2        |
| 140B27      | 27           | B    | 16.020    | 15.074 | 1 1/2      | 4 1/4 | 6 1/4        | 3           | 58.5        |
| 140B28      | 28           | B    | 16.580    | 15.630 | 1 1/2      | 4 1/4 | 6 1/4        | 3           | 62.2        |
| 140B30      | 30           | B    | 17.700    | 16.742 | 1 1/2      | 4 1/4 | 6 1/4        | 3           | 69.8        |
| 140B32      | 32           | B    | 18.820    | 17.854 | 1 1/2      | 4 1/4 | 6 1/4        | 3           | 76.3        |
| 140C35      | 35           | C    | 20.490    | 19.523 | 1 1/2      | 5 1/4 | 7            | 4           | 108.0       |
| 140C40      | 40           | C    | 23.290    | 22.305 | 1 1/2      | 5 1/4 | 7            | 4           | 121.0       |
| 140C45      | 45           | C    | 26.080    | 25.087 | 1 1/2      | 5 1/4 | 7            | 4           | 142.0       |
| 140C48      | 48           | C    | 27.750    | 26.757 | 1 1/2      | 5 1/4 | 7            | 4           | 150.0       |
| 140C54      | 54           | C    | 31.100    | 30.097 | 1 1/2      | 5 1/4 | 7            | 4           | 177.0       |
| 140C60      | 60           | C    | 34.440    | 33.438 | 1 1/2      | 5 1/4 | 7            | 5           | 220.0       |
| 140C70      | 70           | C    | 40.020    | 39.006 | 1 1/2      | 5 1/4 | 7 1/2        | 5           | 282.0       |
| 140C80      | 80           | C    | 45.590    | 44.575 | 1 1/2      | 5 1/4 | 7 1/2        | 5           | 331.0       |

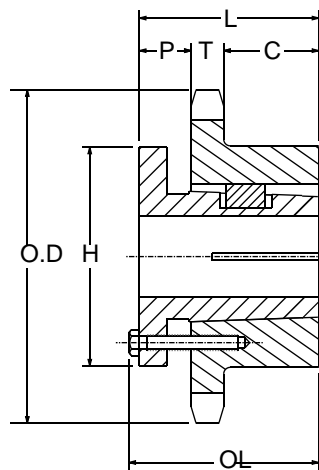
SPROCKETS FOR No.140 PITCH (1 3/4" ANSI) CHAIN

STEEL

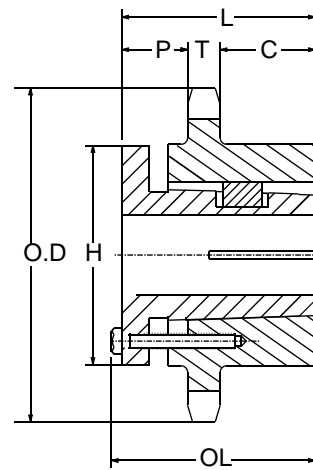
1 3/4" PITCH



TYPE - 4



TYPE - 5



TYPE - 6



[ SINGLE SPLIT BUSH ]

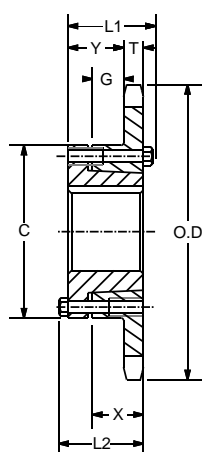
SPROCKETS FOR No.140 PITCH (1 3/4" ANSI) CHAIN

| NEW PART NUMBER | NO. OF TEETH | BUSHING | TYPE | DIAMETERS |        | BORE RANGE |        | DIMENSIONS |         |       |         |        |       | WEIGHT LBS. |
|-----------------|--------------|---------|------|-----------|--------|------------|--------|------------|---------|-------|---------|--------|-------|-------------|
|                 |              |         |      | O.D.      | P.D.   | MIN        | MAX    | T(NOM.)    | O.L.    | L     | P       | C      | H     |             |
| 140Q11          | 11           | Q1      | 4    | 7.01      | 6.212  | 3/4        | 2 5/8  | 0.924      | 2 25/32 | 2 1/2 | 1 9/16  | 0      | 4 1/8 | 6.4         |
| 140Q12          | 12           | Q1      | 4    | 7.58      | 6.762  | 3/4        | 2 5/8  | 0.924      | 2 25/32 | 2 1/2 | 1 9/16  | 0      | 4 1/8 | 9.0         |
| 140Q13          | 13           | R1      | 4    | 8.15      | 7.313  | 1 1/8      | 3 3/4  | 0.924      | 3 5/32  | 2 7/8 | 1 15/16 | 0      | 5 3/8 | 11.1        |
| 140Q14          | 14           | R1      | 4    | 8.72      | 7.864  | 1 1/8      | 3 3/4  | 0.924      | 3 5/32  | 2 7/8 | 1 15/16 | 0      | 5 3/8 | 12.6        |
| 140Q15          | 15           | R1      | 4    | 9.28      | 8.417  | 1 1/8      | 3 3/4  | 0.924      | 3 5/32  | 2 7/8 | 1 15/16 | 0      | 5 3/8 | 14.7        |
| 140Q16          | 16           | R1      | 4    | 9.85      | 8.970  | 1 1/8      | 3 3/4  | 0.924      | 3 5/32  | 2 7/8 | 1 15/16 | 0      | 5 3/8 | 16.5        |
| 140Q17          | 17           | R1      | 4    | 10.41     | 9.524  | 1 1/8      | 3 3/4  | 0.924      | 3 5/32  | 2 7/8 | 1 15/16 | 0      | 5 3/8 | 18.5        |
| 140Q18          | 18           | R1      | 4    | 10.97     | 10.078 | 1 1/8      | 3 3/4  | 0.924      | 3 5/32  | 2 7/8 | 1 15/16 | 0      | 5 3/8 | 20.5        |
| 140Q19          | 19           | R1      | 4    | 11.54     | 10.632 | 1 1/8      | 3 3/4  | 0.924      | 3 5/32  | 2 7/8 | 1 15/16 | 0      | 5 3/8 | 23.0        |
| 140Q20          | 20           | R1      | 4    | 12.10     | 11.187 | 1 1/8      | 3 3/4  | 0.924      | 3 5/32  | 2 7/8 | 1 15/16 | 0      | 5 3/8 | 25.4        |
| 140Q21          | 21           | R1      | 4    | 12.66     | 11.742 | 1 1/8      | 3 3/4  | 0.924      | 3 5/32  | 2 7/8 | 1 15/16 | 0      | 5 3/8 | 27.8        |
| 140Q22          | 22           | R1      | 4    | 13.22     | 12.297 | 1 1/8      | 3 3/4  | 0.924      | 3 5/32  | 2 7/8 | 7/8     | 1 1/16 | 5 3/8 | 32.5        |
| 140Q23          | 23           | R1      | 4    | 13.78     | 12.852 | 1 1/8      | 3 3/4  | 0.924      | 3 5/32  | 2 7/8 | 7/8     | 1 1/16 | 5 3/8 | 36.0        |
| 140Q24          | 24           | R1      | 4    | 14.34     | 13.407 | 1 1/8      | 3 3/4  | 0.924      | 3 5/32  | 2 7/8 | 7/8     | 1 1/16 | 5 3/8 | 37.6        |
| 140Q25          | 25           | R1      | 4    | 14.90     | 13.963 | 1 1/8      | 3 3/4  | 0.924      | 3 5/32  | 2 7/8 | 7/8     | 1 1/16 | 5 3/8 | 40.3        |
| 140R26          | 26           | R1      | 5    | 15.46     | 14.513 | 1 1/8      | 3 3/4  | 0.924      | 3 5/32  | 2 7/8 | 7/8     | 1 1/16 | 5 3/8 | 44.0        |
| 140R30          | 30           | R2      | 6    | 17.70     | 16.742 | 1 3/8      | 3 5/8  | 0.924      | 5 5/32  | 4 7/8 | 7/8     | 2      | 5 3/8 | 68.0        |
| 140R35          | 35           | R2      | 6    | 20.49     | 19.523 | 1 3/8      | 3 5/8  | 0.924      | 5 5/32  | 4 7/8 | 7/8     | 2      | 5 3/8 | 88.0        |
| 140R36          | 36           | R2      | 6    | 21.05     | 20.079 | 1 3/8      | 3 5/8  | 0.924      | 5 5/32  | 4 7/8 | 7/8     | 2      | 5 3/8 | 90.0        |
| 140S36          | 36           | S1      | 5    | 21.05     | 20.079 | 1 11/16    | 4 1/4  | 0.924      | 4 3/4   | 4 3/8 | 1 1/16  | 2 3/8  | 6 3/8 | 89.0        |
| 140S40          | 40           | R2      | 6    | 23.29     | 22.305 | 1 3/8      | 3 5/8  | 0.924      | 5 5/32  | 4 7/8 | 7/8     | 2      | 5 3/8 | 109.0       |
| 140S40          | 40           | S1      | 5    | 23.29     | 22.305 | 1 11/16    | 4 1/4  | 0.924      | 4 3/4   | 4 3/8 | 1 1/16  | 2 3/8  | 6 3/8 | 107.0       |
| 140S45          | 45           | S1      | 5    | 26.08     | 25.087 | 1 11/16    | 4 1/4  | 0.924      | 4 3/4   | 4 3/8 | 1 1/16  | 2 3/8  | 6 3/8 | 132.0       |
| 140S48          | 48           | S2      | 6    | 27.75     | 26.575 | 1 7/8      | 4 3/16 | 0.924      | 7 1/2   | 6 3/4 | 2 15/16 | 2 7/8  | 6 3/8 | 169.0       |
| 140S54          | 54           | S2      | 6    | 31.10     | 30.097 | 1 7/8      | 4 3/16 | 0.924      | 7 1/2   | 6 3/4 | 2 15/16 | 2 7/8  | 6 3/8 | 208.0       |
| 140S60          | 60           | S2      | 6    | 34.44     | 33.438 | 1 7/8      | 4 3/16 | 0.924      | 7 1/2   | 6 3/4 | 2 15/16 | 2 7/8  | 6 3/8 | 230.0       |
| 140S70          | 70           | S2      | 6    | 40.02     | 39.006 | 1 7/8      | 4 3/16 | 0.924      | 7 1/2   | 6 3/4 | 2 15/16 | 2 7/8  | 6 3/8 | 311.0       |
| 140S80          | 80           | S2      | 6    | 45.59     | 44.575 | 1 7/8      | 4 3/16 | 0.924      | 7 1/2   | 6 3/4 | 2 15/16 | 2 7/8  | 6 3/8 | 242.0       |

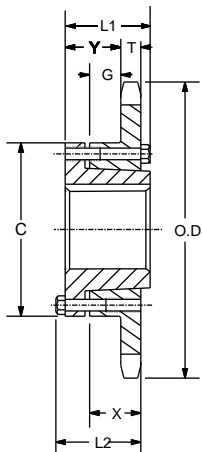
SPROCKETS FOR No.140 PITCH (1 3/4" ANSI) CHAIN

STEEL

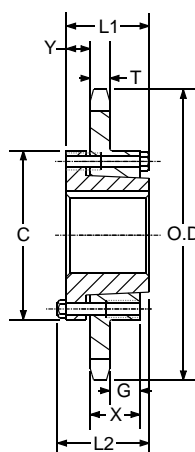
1 3/4" PITCH



TYPE -B



TYPE -B1



TYPE -C



[ SINGLE OD BUSH ]

SPROCKETS FOR No.140 PITCH (1 3/4" ANSI) CHAIN

| NEW PART NUMBER | NO. OF TEETH | BUSHING | TYPE | DIAMETERS |        | BORE RANGE |         | DIMENSIONS |         |     |       |         |        |          | WEIGHT   |          |
|-----------------|--------------|---------|------|-----------|--------|------------|---------|------------|---------|-----|-------|---------|--------|----------|----------|----------|
|                 |              |         |      | O.D.      | P.D.   | MIN        | MAX     | L1         | L2      | C   | Y     | G       | X      | T (NOM.) | WITH HUB | RIM ONLY |
| 140SF11         | 11           | SF      | B    | 7.01      | 6.212  | 1/2        | 2 15/16 | 2 1/4      | 2 1/4   | 4.6 | 1.078 | 21/64   | 1 1/4  | 0.924    | 8.6      | 5.6      |
| 140SF12         | 12           | SF      | B    | 7.58      | 6.762  | 1/2        | 2 15/16 | 2 1/4      | 2 1/4   | 4.6 | 1.078 | 21/64   | 1 1/4  | 0.924    | 10.4     | 7.4      |
| 140SF13         | 13           | SF      | B    | 8.15      | 7.313  | 1/2        | 2 15/16 | 2 1/4      | 2 1/4   | 4.6 | 1.078 | 21/64   | 1 1/4  | 0.924    | 11.9     | 8.9      |
| 140E14          | 14           | E       | B1   | 8.72      | 7.864  | 7/8        | 3 1/2   | 2 5/8      | 2 15/16 | 6.0 | 1.563 | 45/64   | 1 5/8  | 0.924    | 21.6     | 11.6     |
| 140E15          | 15           | E       | B1   | 9.28      | 8.417  | 7/8        | 3 1/2   | 2 5/8      | 2 15/16 | 6.0 | 1.563 | 45/64   | 1 5/8  | 0.924    | 24.2     | 14.2     |
| 140E16          | 16           | E       | B1   | 8.85      | 8.970  | 7/8        | 3 1/2   | 2 5/8      | 2 15/16 | 6.0 | 1.563 | 45/64   | 1 5/8  | 0.924    | 25.9     | 15.9     |
| 140E17          | 17           | E       | B1   | 10.41     | 9.524  | 7/8        | 3 1/2   | 2 5/8      | 2 15/16 | 6.0 | 1.563 | 45/64   | 1 5/8  | 0.924    | 28.0     | 18.0     |
| 140E18          | 18           | E       | B1   | 10.98     | 10.078 | 7/8        | 3 1/2   | 2 5/8      | 2 15/16 | 6.0 | 1.563 | 45/64   | 1 5/8  | 0.924    | 29.6     | 19.6     |
| 140E19          | 19           | E       | B1   | 11.54     | 10.632 | 7/8        | 3 1/2   | 2 5/8      | 2 15/16 | 6.0 | 1.563 | 45/64   | 1 5/8  | 0.924    | 32.0     | 22.0     |
| 140E20          | 20           | E       | B1   | 12.10     | 11.187 | 7/8        | 3 1/2   | 2 5/8      | 2 15/16 | 6.0 | 1.563 | 45/64   | 1 5/8  | 0.924    | 34.6     | 24.6     |
| 140E21          | 21           | E       | B1   | 12.66     | 11.742 | 7/8        | 3 1/2   | 2 5/8      | 2 15/16 | 6.0 | 1.563 | 45/64   | 1 5/8  | 0.924    | 37.6     | 27.6     |
| 140E22          | 22           | E       | B1   | 13.22     | 12.297 | 7/8        | 3 1/2   | 2 5/8      | 2 15/16 | 6.0 | 1.563 | 45/64   | 1 5/8  | 0.924    | 39.5     | 29.5     |
| 140F23          | 23           | F       | B1   | 13.78     | 12.852 | 1          | 3 15/16 | 3 5/8      | 4       | 6.6 | 2.563 | 1.57813 | 2 1/2  | 0.924    | 48.0     | 36.4     |
| 140F24          | 24           | F       | B1   | 14.34     | 13.407 | 1          | 3 15/16 | 3 5/8      | 4       | 6.6 | 2.563 | 1.57813 | 2 1/2  | 0.924    | 51.6     | 40.1     |
| 140F25          | 25           | F       | B1   | 14.90     | 13.963 | 1          | 3 15/16 | 3 5/8      | 4       | 6.6 | 2.563 | 1.57813 | 2 1/2  | 0.924    | 53.8     | 42.3     |
| 140F26          | 26           | F       | B1   | 15.46     | 14.518 | 1          | 3 15/16 | 3 5/8      | 4       | 6.6 | 2.563 | 1.57813 | 2 1/2  | 0.924    | 58.0     | 46.5     |
| 140F30          | 30           | F       | B1   | 17.70     | 16.742 | 1          | 3 15/16 | 3 5/8      | 4       | 6.6 | 2.563 | 1.57813 | 2 1/2  | 0.924    | 72.0     | 60.4     |
| 140F35          | 35           | F       | C    | 20.49     | 19.523 | 1          | 3 15/16 | 3 5/8      | 4       | 6.6 | 1.000 | 1.57813 | 2 1/2  | 0.924    | 89.5     | 78.0     |
| 140F36          | 36           | F       | C    | 21.05     | 20.079 | 1          | 3 15/16 | 3 5/8      | 4       | 6.6 | 1.000 | 1.57813 | 2 1/2  | 0.924    | 95.5     | 84.0     |
| 140J40          | 40           | J       | C    | 23.29     | 22.305 | 1 1/2      | 4 7/16  | 4 1/2      | 5       | 7.3 | 1.188 | 2.26563 | 3 3/16 | 0.924    | 117.0    | 98.0     |
| 140J45          | 45           | J       | C    | 26.08     | 25.087 | 1 1/2      | 4 7/16  | 4 1/2      | 5       | 7.3 | 1.188 | 2.26563 | 3 3/16 | 0.924    | 139.0    | 120.0    |
| 140J48          | 48           | J       | C    | 27.75     | 26.757 | 1 1/2      | 4 7/16  | 4 1/2      | 5       | 7.3 | 1.188 | 2.26563 | 3 3/16 | 0.924    | 148.0    | 129.0    |
| 140J54          | 54           | J       | C    | 31.10     | 30.097 | 1 1/2      | 4 7/16  | 4 1/2      | 5       | 7.3 | 1.188 | 2.26563 | 3 3/16 | 0.924    | 168.0    | 149.0    |
| 140J60          | 60           | J       | C    | 34.44     | 33.438 | 1 1/2      | 4 7/16  | 4 1/2      | 5       | 7.3 | 1.188 | 2.26563 | 3 3/16 | 0.924    | 205.0    | 186.0    |
| 140M70          | 70           | M       | C    | 40.02     | 39.006 | 2          | 5 1/2   | 6 3/4      | 6 3/4   | 9.0 | 2.906 | 2.53125 | 5 3/16 | 0.924    | 301.0    | 264.0    |
| 140M80          | 80           | M       | C    | 45.59     | 44.575 | 2          | 5 1/2   | 6 3/4      | 6 3/4   | 9.0 | 2.906 | 2.53125 | 5 3/16 | 0.924    | 385.0    | 348.0    |